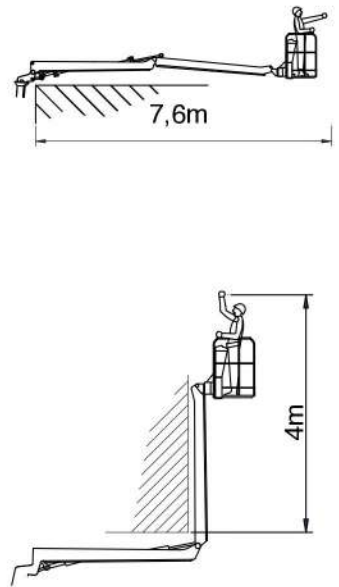
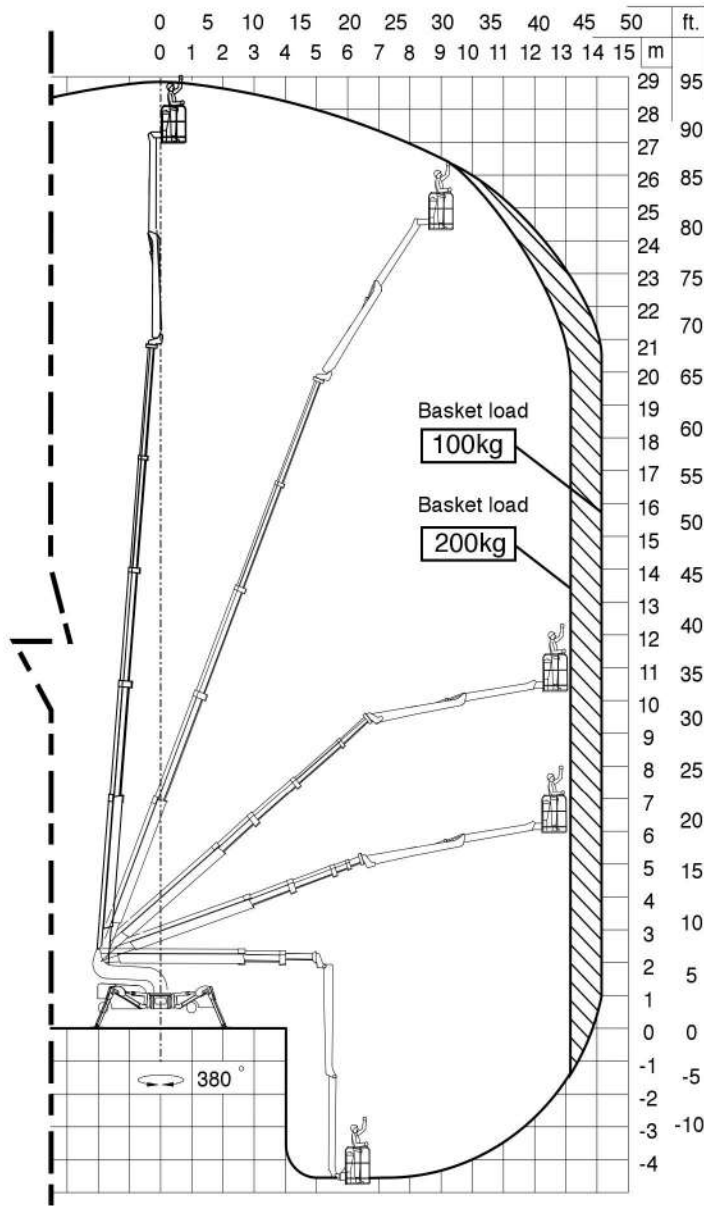
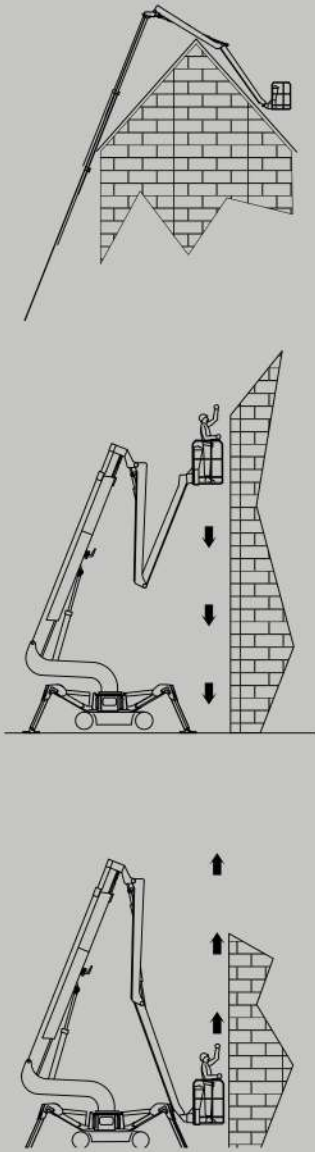


# FALCON FS290

## Reach diagram — Optimized position

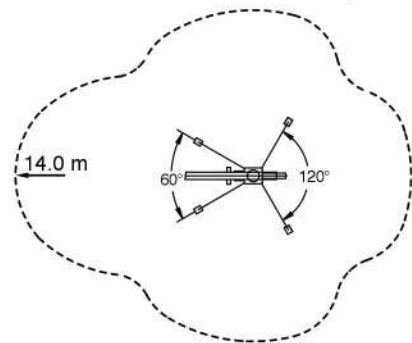
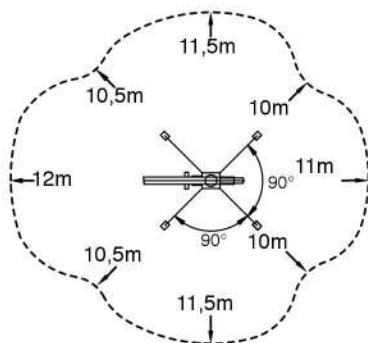


## Reach with outriggers in different positions

**Standard**

Measurements in meters

**Optimized**



Basket load = 200kg

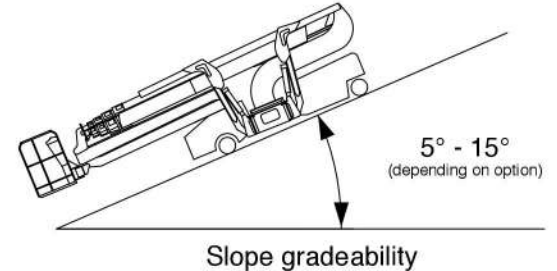
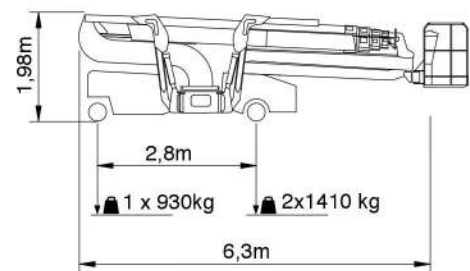
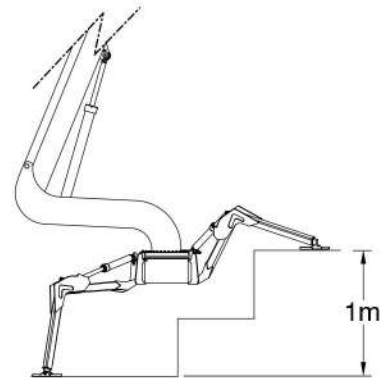
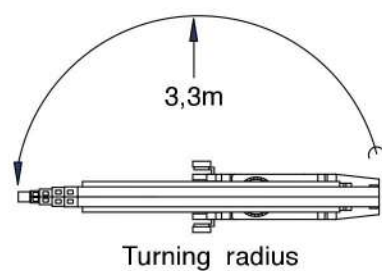
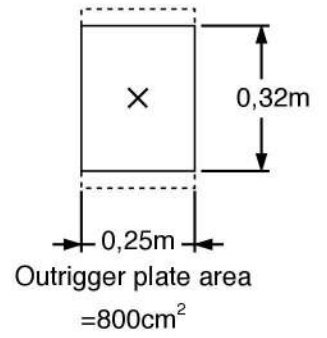
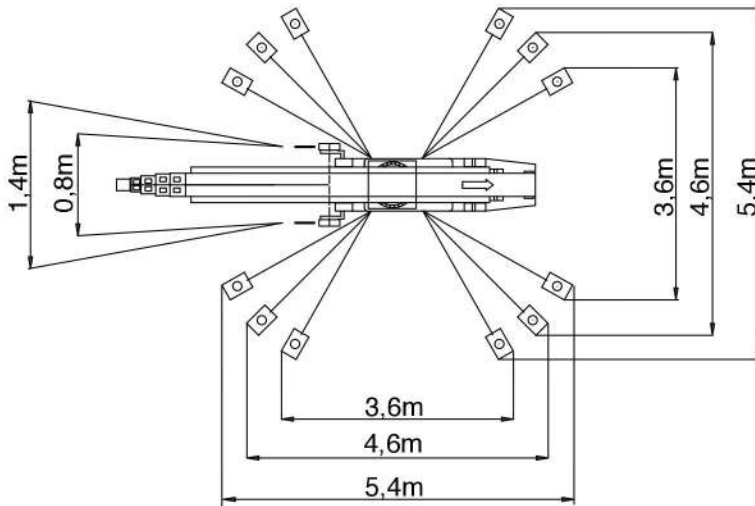
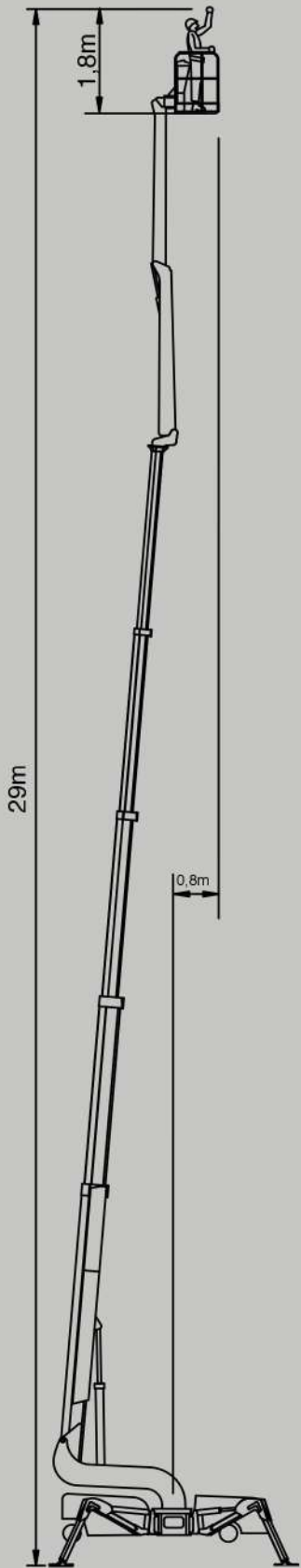
Basket load = 100kg

**TCA LIFT A/S**

Tolderlundsvej 106  
DK • 5000 Odense C  
Tel.: +45 66 13 11 00

[www.tcalift.com](http://www.tcalift.com)

All measurements are intended as guide. Choice of equipment may change the mentioned measurements



### Additional info:

**Weight and ground pressure:**

Weight with standard equipment	3750 kg
Max. ground pressure under 1 wheel	8,2 kg/cm <sup>2</sup>
Max. ground pressure under 1 outrigger plate	2,4 kg/cm <sup>2</sup>
Front wheel area (depending on wheel type)	1 x ~ 140cm <sup>2</sup>
Rear wheel area (depending on wheel type)	2 x ~ 172 cm <sup>2</sup>