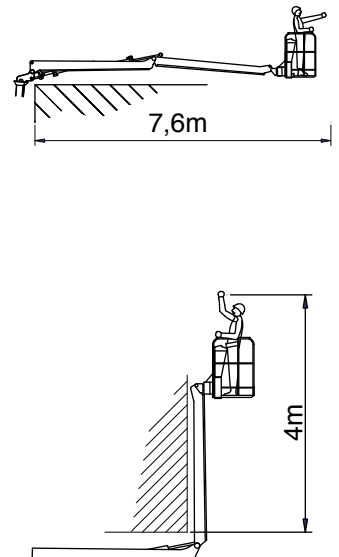
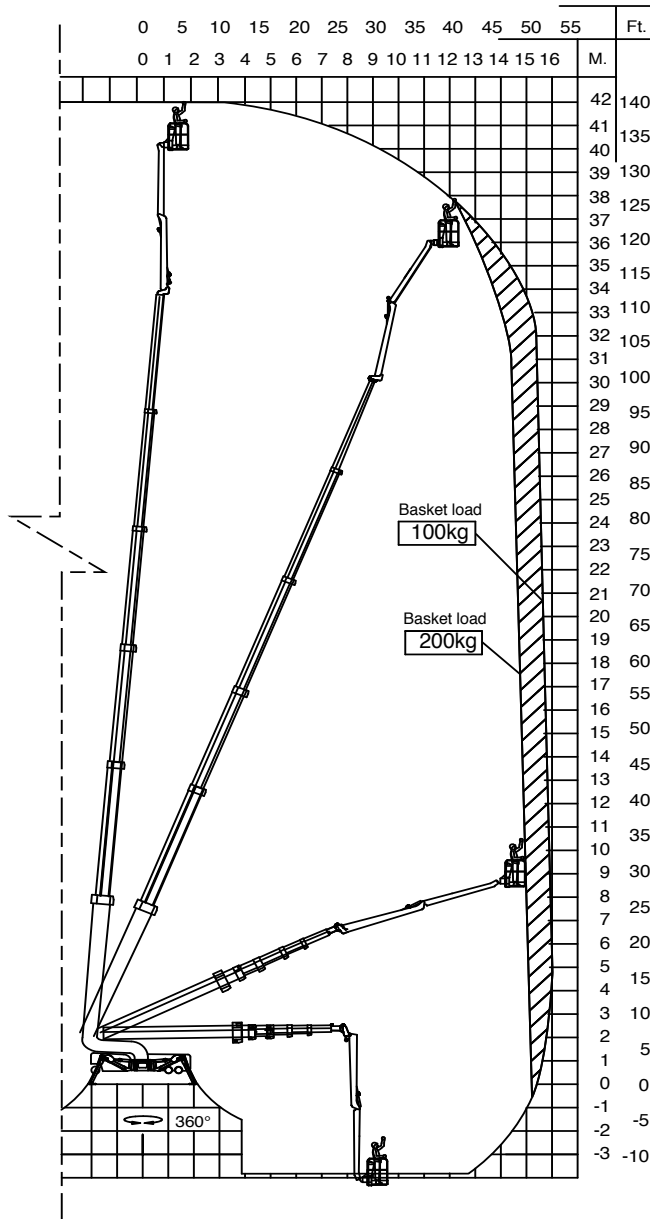
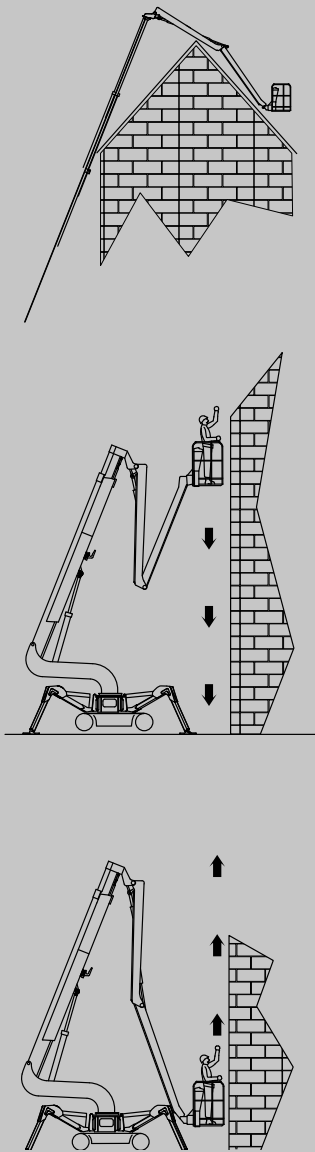


# FALCON FS420

## Reach diagram — Optimized position

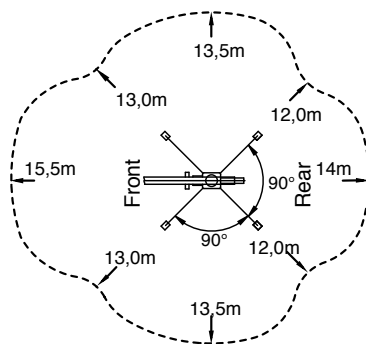


## Reach with outriggers in different positions

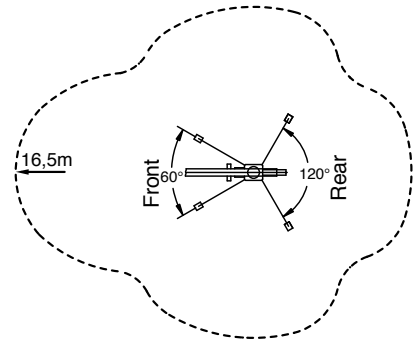
**Standard**

Measurements in meters

**Optimized**



Basket load = 200kg



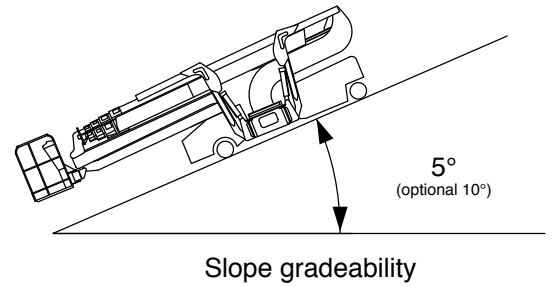
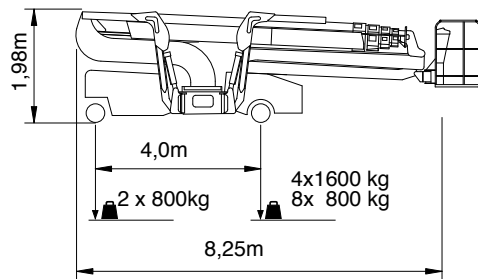
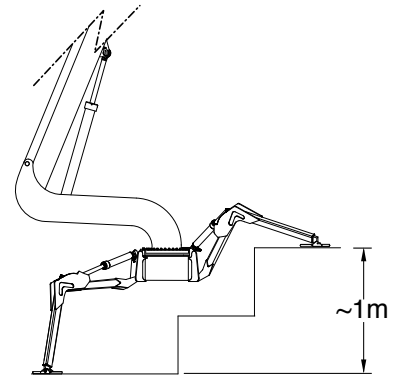
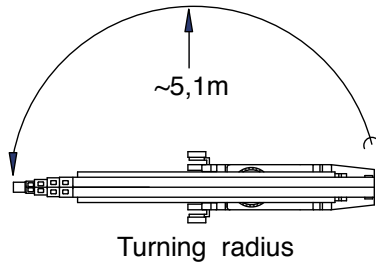
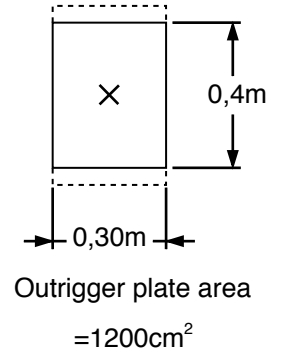
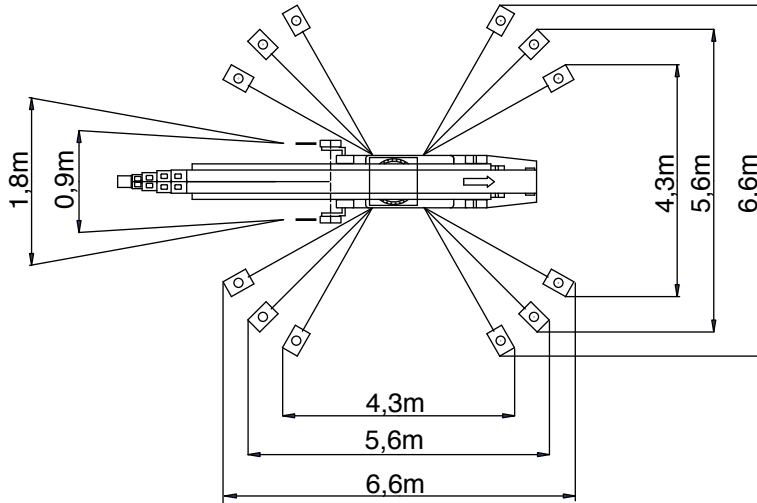
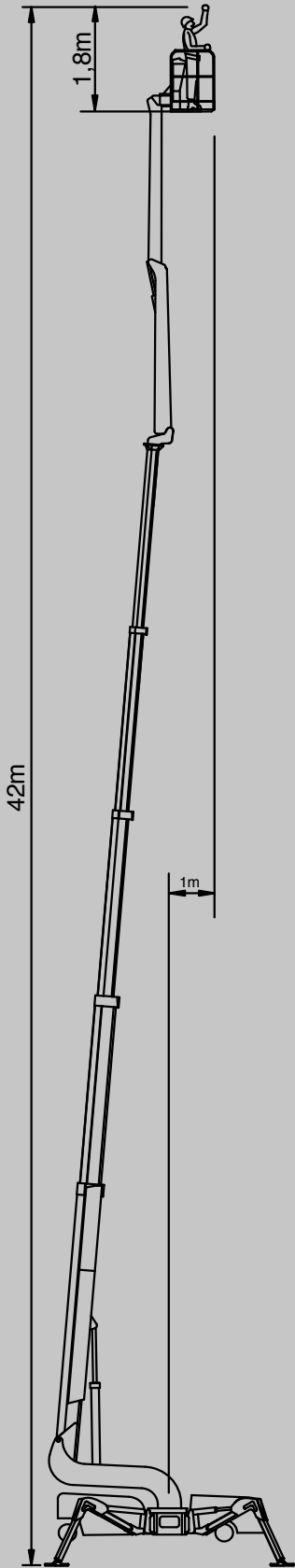
Basket load = 100kg

**TCA LIFT A/S**

Tolderlundsvej 106  
DK • 5000 Odense C  
Tel.: +45 66 13 11 00

[www.tcalift.com](http://www.tcalift.com)

All measurements are intended as guide. Choise of equipment may change the mentioned measurements



## Additional info:

### Weight and ground pressure:

Weight with standard equipment	8000 kg
Max. ground pressure under 1 wheel (with 4 rear wheel)	6,8 kg/cm <sup>2</sup>
Max. ground pressure under 1 wheel (with 8 rear wheel)	3,7 kg/cm <sup>2</sup>
Max. ground pressure under 1 outrigger plate	3,0 kg/cm <sup>2</sup>
Front wheel area (depending on wheel type)	2 x ~ 216 cm <sup>2</sup>
Rear wheel area (depending on wheel type)	4 x ~ 234 cm <sup>2</sup>

*As all our products are in a constant process of development we reserve the right to alterations*