

ES SERIES

ELECTRIC SCISSOR LIFTS



Performance

| | | |
|--------------------------------|-------------------------|--------------|
| Platform Height—Elevated | | |
| 1930ES | 5.72 m | 18 ft 9 in. |
| 2032ES | 6.10 m | 20 ft |
| 2632ES | 7.77 m | 25 ft 6 in. |
| 2646ES | 7.92 m | 26 ft |
| 3246ES | 9.68 m | 31 ft 9 in. |
| Platform Capacity | | |
| 1930ES | 227 kg | 500 lb |
| 2032ES | 363 kg | 800 lb |
| 2632ES | 227/363 kg | 500/800 lb |
| 2646ES | 454 kg | 1,000 lb |
| 3246ES | 318/454 kg | 700/1,000 lb |
| Capacity on Platform Extension | | |
| | 113 kg | 250 lb |
| Lift/Lower Time | | |
| 1930ES | 26/30 seconds | |
| 2032ES | 28/40 seconds | |
| 2632ES | 33/37 seconds | |
| 2646ES | 41/50 seconds | |
| 3246ES | 55/62 seconds | |
| Maximum Drive Height | | |
| | Fully Elevated | |
| Weight* | | |
| 1930ES | 1,229 kg | 2,710 lb |
| 2032ES | 1,638 kg | 3,610 lb |
| 2632ES | 2,103 kg | 4,635 lb |
| 2646ES/ 3246ES | 2,257 kg | 4,975 lb |
| Ground Bearing Pressure | | |
| 1930ES | 7.66 kg/cm ² | 109 psi |
| 2032ES | 5.69 kg/cm ² | 81 psi |
| 2632ES | 6.32 kg/cm ² | 90 psi |
| 2646ES/ 3246ES | 6.11 kg/cm ² | 87 psi |
| Drive Speed—Elevated | | |
| | 0.8 km/h | 0.5 mph |
| Drive Speed—Lowered | | |
| 1930ES | 4.82 km/h | 3.0 mph |
| 2032ES/ 2632ES | 4.43 km/h | 2.75 mph |
| 2646ES/ 3246ES | 4.00 km/h | 2.50 mph |
| Gradeability | | |
| | 25% | |
| Turning Radius (Inside) | | |
| | Zero | |
| Turning Radius (Outside) | | |
| 1930ES | 1.75 m | 69 in. |
| 2032ES/ 2632ES | 2.06 m | 81 in. |
| 2646ES/ 3246ES | 2.41 m | 95.1 in. |

* Certain options or country standards will increase weight.

Standard Specifications

Power Source

| | | |
|-----------|------------------|-----|
| Batteries | 4x6V, 220 amp-hr | |
| Charger | 20 Amp Automatic | |
| Drive | 24V Electric | 8hp |

Hydraulic Reservoir

| | | |
|----------------------|-------------------------|-----------|
| • Capacity | | |
| 1930ES/2032ES/2632ES | 4.73 L | 1.25 gal. |
| 2646ES/3246ES | 6.4 L | 1.7 gal. |
| • Pump | | |
| | Fixed Displacement Gear | |



Tires

| | |
|-----------------------------|--------------------------------|
| • Tire Size/Type | |
| 1930ES | 12.5 x 4 in. Non-Marking Solid |
| 2032ES/2632ES/2646ES/3246ES | 16 x 5 in. Non-Marking Solid |

Brakes

- Electric/Friction

Standard Features

- Proportional Controls
- Industry Leading Duty Cycles
- Drywall Gate¹
- Battery Condition Indicator
- Fold-Down Guard Rails²
- 110V-AC Receptacle in Platform
- Slide-Out Battery Trays
- Automatic Traction Control (ATC)
- All Motion Alarm
- 20 Amp Automatic SCR Charger
- Horn
- Hourmeter
- Manual Descent Pull Cable
- Tilt Alarm and Light
- Lanyard Attach Points
- Moveable, Removable Platform Control
- Powder-Coated
- Console with Rail Mounting Bracket
- Nickel Plated Pins
- Lubrication Free Scissor Arm Bushings
- Scissor Maintenance Prop
- Mechanized Pothole Protection
- Machine Tie Downs
- Fork Lift Pockets, Lift from Side and Rear
- 91 cm (36 in.) Roll-Out Deck Extension³
- 1.27 m (50 in.) Roll-Out Deck Extension⁴
- Four 6V, 220 Amp-Hour Deep Cycle Batteries

1. Not included on 1930ES. 2. Optional on 1930ES. 3. 1930ES, 2032ES and 2632ES. 4. 2646ES and 3246ES.

Accessories & Options

- Spring-Loaded Gate
- Flashing Amber Beacon
- 245 Amp-Hour Batteries⁵
- 1,000W-AC Inverter
- Lifting Lugs
- UL® EE Rating⁶
- Platform Padding
- Platform Padding with Proximity Switches
- 1.27 cm (1/2 in.) Airline
- Quik Welder Prep Package⁷
- Nite Bright⁸
- 220 Amp-Hour AGM Batteries⁹
- Special Hydraulic Oils
- Accessory Packages:
 - Electrician's Package
 - Plumber's Package
 - JLG® Workstation
 - Panel Carrier Accessory⁵
 - Pipe Rack Accessory⁵
 - Quick Welder® Package
 - Plant Maintenance Package

5. Not available on the 1930ES. 6. Not available with AGM Batteries. 7. Includes power cable for welder and fire extinguisher. 8. Includes two platform mounted worklights. 9. Not available on EE rated units.

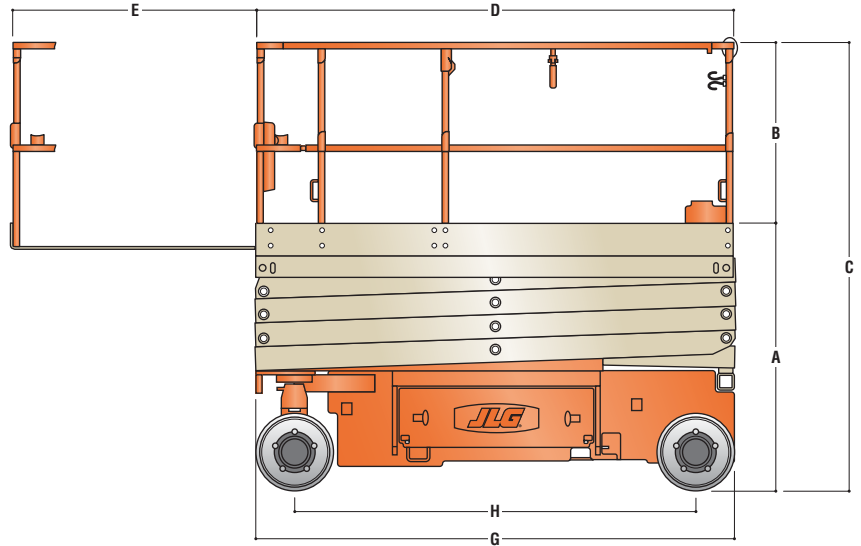
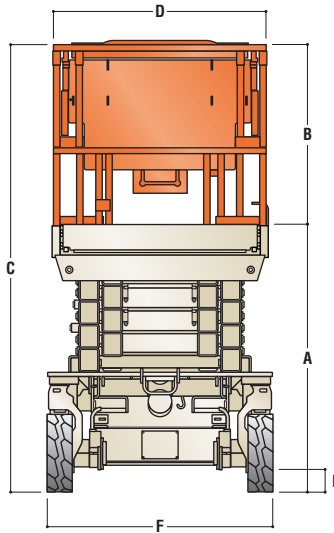
ES SERIES

ELECTRIC SCISSOR LIFTS



Dimensions

All dimensions are approximate.



A. Platform Height—Lowered

| | | |
|--------|--------|----------|
| 1930ES | 0.86 m | 34 in. |
| 2032ES | 1.10 m | 43.5 in. |
| 2632ES | 1.23 m | 48.5 in. |
| 2646ES | 1.26 m | 49.5 in. |
| 3246ES | 1.26 m | 49.5 in. |

B. Platform Railing Height

| | | |
|-----------|--------|----------|
| ES Series | 1.10 m | 43.3 in. |
|-----------|--------|----------|

C. Overall Height—Rails Lowered

| | | |
|---------------|--------|---------------|
| 1930ES | N/A | |
| 2032ES | 1.80 m | 5 ft 11.5 in. |
| 2632ES | 1.94 m | 6 ft 4.5 in. |
| 2646ES/3246ES | 1.97 m | 6 ft 5.5 in. |

D. Platform Size

| | | |
|---------------|---------------|---------------|
| 1930ES | 0.76 x 1.87 m | 30 x 73.5 in. |
| 2032ES/2632ES | 0.76 x 2.3 m | 30 x 90.5 in. |
| 2646ES/3246ES | 1.12 x 2.5 m | 44 x 98.5 in. |

E. Platform Extension

| | | |
|----------------------|--------|----------|
| 1930ES/2032ES/2632ES | 0.9 m | 35.5 in. |
| 2646ES/3246ES | 1.27 m | 50 in. |

F. Overall Width

| | | |
|---------------|--------|--------|
| 1930ES | 76 cm | 30 in. |
| 2032ES/2632ES | 81 cm | 32 in. |
| 2646ES/3246ES | 117 cm | 46 in. |

G. Overall Length

| | | |
|---------------|--------|--------------|
| 1930ES | 1.87 m | 6 ft 1.5 in. |
| 2032ES/2632ES | 2.3 m | 7 ft 6.5 in. |
| 2646ES/3246ES | 2.5 m | 8 ft 2.5 in. |

H. Wheelbase

| | | |
|---------------|--------|-------------|
| 1930ES | 1.6 m | 5 ft 3 in. |
| 2032ES/2632ES | 1.88 m | 6 ft 2 in. |
| 2646ES/3246ES | 2.09 m | 6 ft 10 in. |

I. Ground Clearance

| | | |
|----------------------|---------|---------|
| 1930ES/2032ES/2632ES | 8.8 cm | 3.5 in. |
| 2646ES/3246ES | 12.7 cm | 5 in. |



The JLG "1 & 5" Warranty

JLG Industries, Inc. backs its products with its exclusive "1 & 5" Warranty. We provide coverage on all products for one (1) full year, and cover all specified major structural components for five (5) years. Due to continuous product improvements, we reserve the right to make specification and/or equipment changes without prior notification. This machine meets or exceeds applicable OSHA Regulations in 29 CFR 1910.67, 29 CFR 1926.453, ANSI A92.5-2006, and CSA Standard CAN3-B354.2-M82, as originally manufactured for intended applications.

Part No.: 3131580
R121408
Printed in USA

JLG Industries, Inc.
1 JLG Drive
McCconnellsburg, PA 17233-9533
Telephone 717-485-5161
Toll-free in US 877-JLG-LIFT
Fax 717-485-6417
www.jlg.com

An Oshkosh Corporation Company