

X23J COMPACT CRAWLERS

Platform

- 0.69 m x 1.30 m Aluminium 2 person platform
- Slide bar rear entry
- Footswitch
- Full proportional control
- Articulating jib
- Powered platform rotator (124°)
- Remote Control (via cable to platform)
- Multi-lingual LCD display on platform console
- Platform console position sensor and lock
- Envelope management load sensing system
- Platform designed for ease of removal/changeover
- AC Cable to platform
- 6,5 mm (1/4 ") air/water line to platform

Power & Transmission

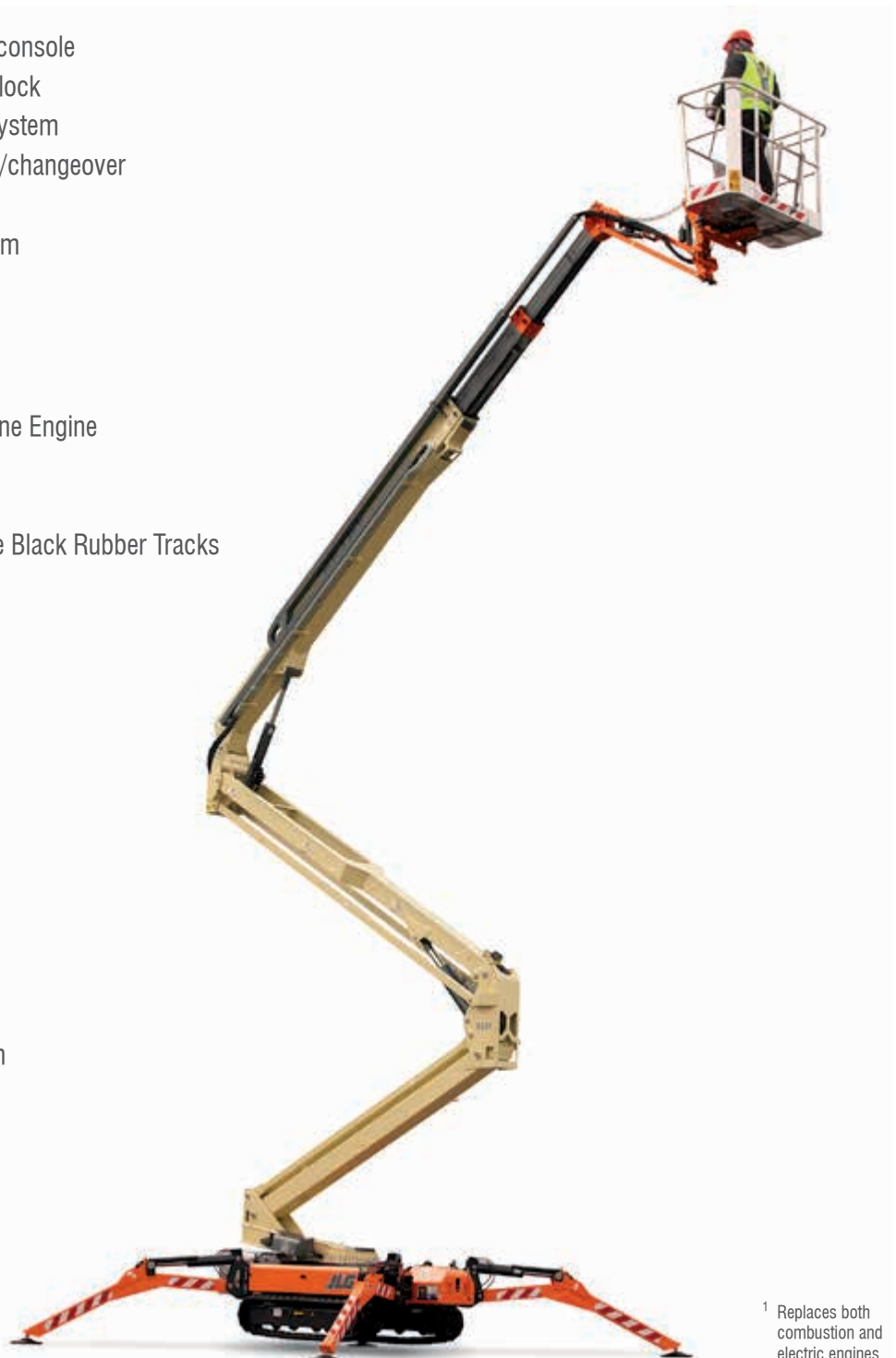
- Honda iGX440 - 11 kW (15HP) Gasoline Engine
- 220V, 50 Hz - 2.2 kW Electric Engine
- Engine protection
- 1.76 m x 0.23 m x 0.38 m High Profile Black Rubber Tracks

Functional Equipment & Accessories

- Automatic Stabilization
- Automatic Stabilization with Variable Outrigger Footprint
- Non Mark Outrigger Pads
- Cylinder Rod Protection on Outriggers
- Automatic cut-out when out of level
- Powered track extensions/retraction
- 361° non-continuous turntable rotation
- Turntable alignment sensor and gauge
- Three emergency descent systems
- Electro-hydraulic controls
- 2nd (high) Drive speed
- Lifting/Tie down points

Available Options

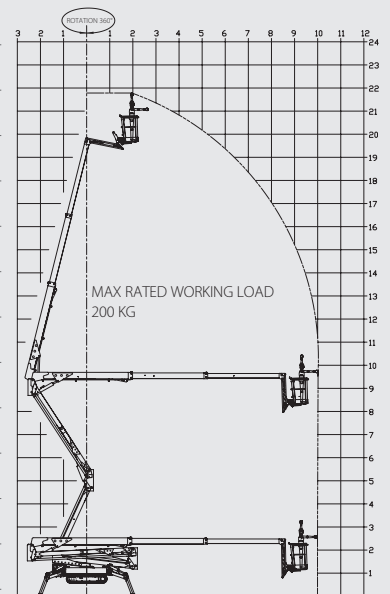
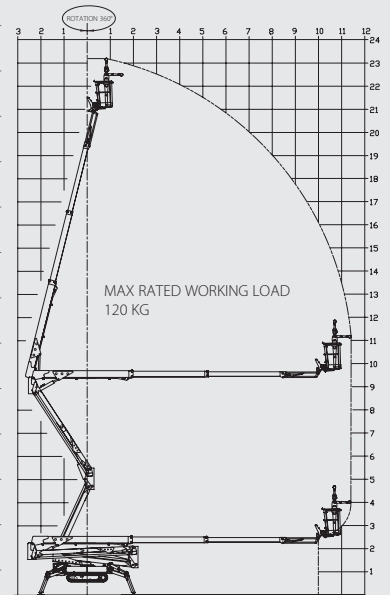
- 0.59 m x 0.79 m Aluminium 1 person platform
- Perkins 402.05 - 10.2 kW (14HP) Diesel Engine
- 110V, 50 Hz - 2.2 kW Electric Engine
- 100A/hr 72V Lithium ion power pack ¹
- 1.76 m x 0.23 m x 0.38 m High Profile Non Mark Rubber Tracks



¹ Replaces both combustion and electric engines

X23J COMPACT CRAWLERS

Platform Height w 120 kg capacity	21.10 m
Platform Height w 200 kg capacity	19.70 m
Horizontal Outreach (Std Platform w 120kg)	11.13 m
Horizontal Outreach (Std Platform w 200kg)	9.75 m
Up & Over Height w 120 kg	9.38 m
Up & Over Height w 200 kg	7.96 m
Swing (non continuous)	361°
Jib - overall length	1.43 m
Jib - range of articulation (+/-)	85° (-1° / -86°)
Platform size (standard 2 persons)	0.69 m x 1.30 m
Platform size (narrow one person)	0.59 m x 0.79 m
Stowed width (with std. 2P platform)	1.48 m
Stowed width (without platform) ¹	0.99 m
Stowed height (on tracks) ²	1.99 m
Stowed length (on tracks)	6 m
Outrigger footprint	3.98 m x 3.98 m
Machine weight (with standard platform) ³	2,990 kg
Operating weight (with petrol engine)	3,100 Kg
Maximum ground bearing pressure (on outriggers)	3.06 kg/cm ²
Maximum ground bearing pressure (on tracks)	0.49 kg/cm ²
Maximum drive speed (single speed m/c) Petrol	-
Maximum drive speed (two speed m/c) Petrol ⁴	1 / 1.7 Km/h
Gradeability	40%
Maximum operating slope	13°
Max. Approach / Depart angles	Front 22° / Rear 25°
Track size - Bridgestone high profile black rubber	1.76 m x 0.23 m x 0.38 m
Width of Undercarriage (Retracted/Extended)	0.99 m / 1,29 m
AC electric motor	110V or 220V, 50Hz, 2.2kW
Engine	Honda iGX440, 11 kw Petrol

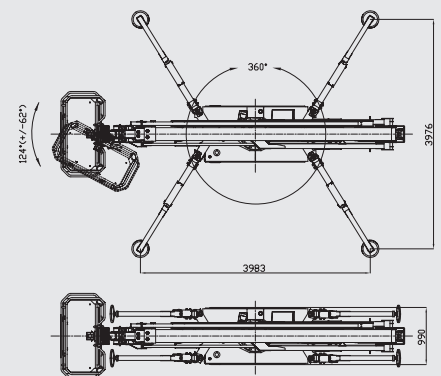
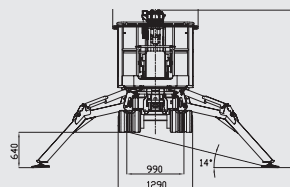
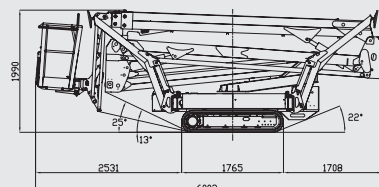


¹ With outrigger pads removed. Pads increase width by 75 mm in stowed position.

² No change in this dimension with or without outrigger pads removed.

³ Dry weight. Certain options or country standards may increase weight and/or dimensions.

⁴ Two speed drive standard on this model.



JLG is continually researching and developing products and reserves the right to make modifications without prior notice. All data in this document is indicative. Certain options or country standards will increase weight. Specifications may change to meet country standards or with the addition of optional equipment.

EAZI SALES & SERVICE

Sole Distributor of:

JLG

Eazi Sales & Service

Head Office

Tel: +27 87 550 4131

Tel: +27 11 312 7380

Tel Int: +27 86 100 5540

Fax: +27 11 312 7381

Email: info@eazisales.co.za

www.eazisales.co.za