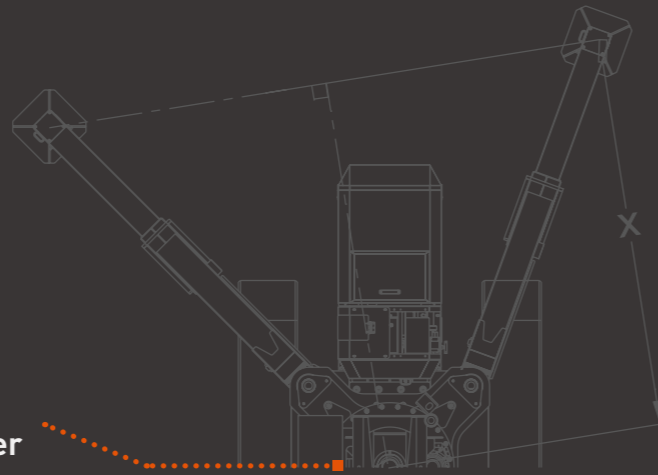


# SPX1280 Features

**GREATER PERFORMANCE  
IN SMALLER WORKING AREAS.**

## **INTUITIVE AND EFFECTIVE STABILIZATION SYSTEM**

The outriggers can be opened **from 0° to 45°** with a continuous rotation, creating infinite stabilization combinations. With **4 stabilization areas**, the crane can now work in conditions that would **have never been possible before**.



## **RADIO REMOTE-CONTROL**

SPX1280 features a **brand new radio remote-control** with a made in Jekko software that makes this crane extremely easy to use.



## **NEW HYDRAULIC SYSTEM**

An improved hydraulic system allows the crane to work with more **fluid and precise movements**, giving a **better feeling to the operator**. Selecting the proper configuration on the radio remote-control, the crane is able to **adapt to the job** that is being carried out, ensuring **greater efficiency and higher energy saving**.

## **NEW COST-EFFECTIVE ENGINE**

SPX1280 is equipped with a smaller engine (compared to the previous model), in order to **optimize power** and take full advantage of the engine. **Smaller engine, better performances and less maintenance costs.**



  
**SPX1280**



**Jekko srl**  
Via Campardone, 1 - 31014 Colle Umberto (TV) Italy  
info@jekko.it - www.jekko-cranes.com

Product Catalog

**SPX**

# SPX1280

**max** 8000 kg

5850 x 1450 x 2040 mm

**max** 26.6 m  
with JIB301.3H

**max** 20.0 m

Reduced stabilization area, 8 T max capacity, 26,6-metres max working height, 2 T pick & carry: a mini crane with unique features which make it incomparable on the market.



## Technical Information

Dimension	L x W x H	5850 x 1450 x 2040 mm
Stab. Area		4600 x 4600 mm

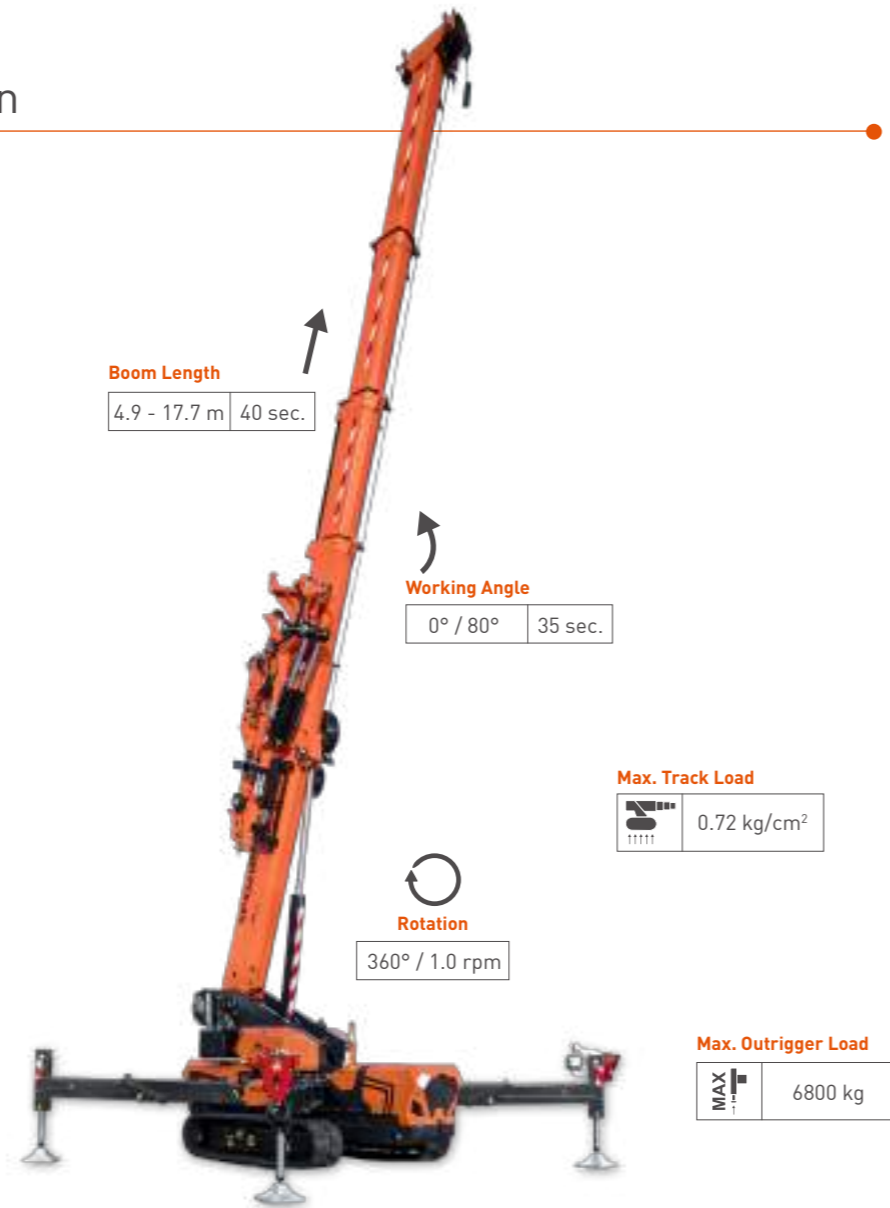
Crane & Options Weights		Kg
	SPX1280	6900
	/	1500
	8T-D10	110
	JIB3502GX	70
	JIB1502.3HL	675
	JIB1501.1FL	265
	JIB303GR	245

SPX1280	Diesel Engine	KUBOTA D1505-E4B	18.5 kW 25 Hp
---------	---------------	------------------	------------------

Speed		1,3/2,8 km/h
-------	--	--------------

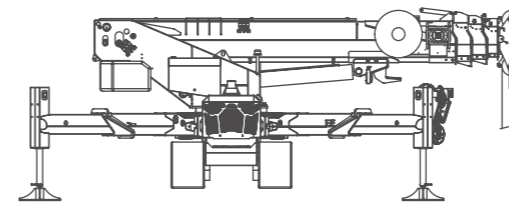
Stability		20°
-----------	--	-----

Ext. Tracks		1450-2050 mm
-------------	--	--------------



## Winch & Fall Stages

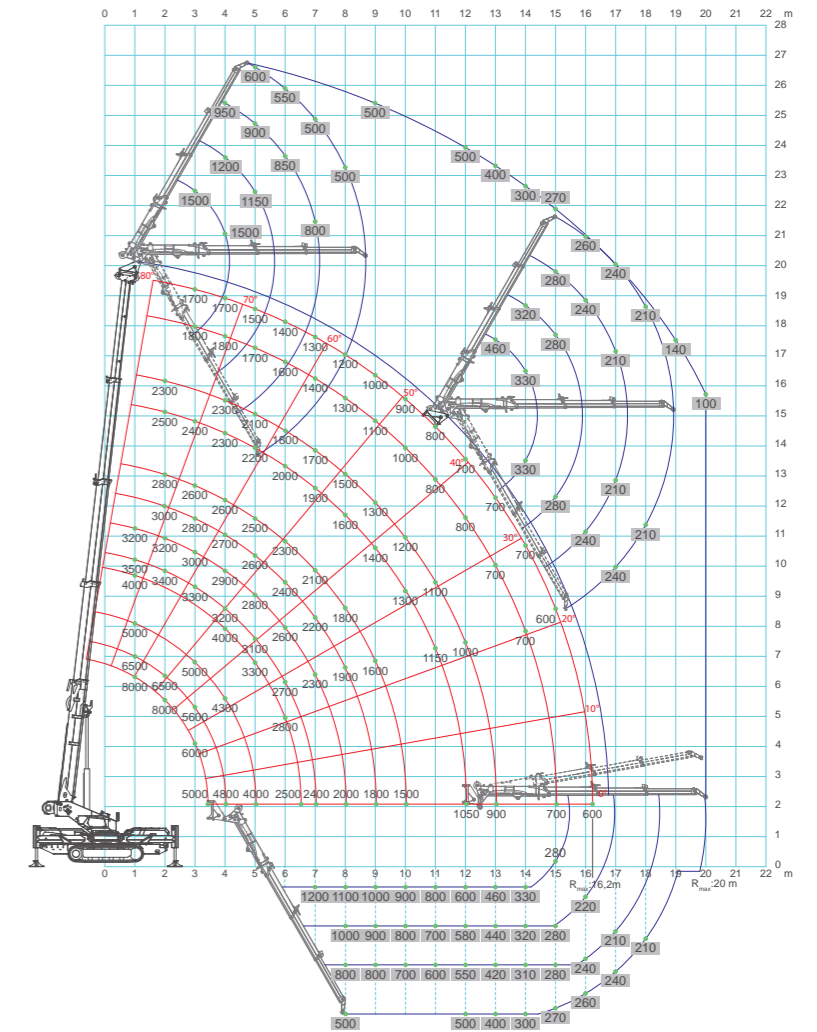
Main Winch	1500 kg 125 m - Ø 10 mm 63,8-115,1 m/min.
------------	---



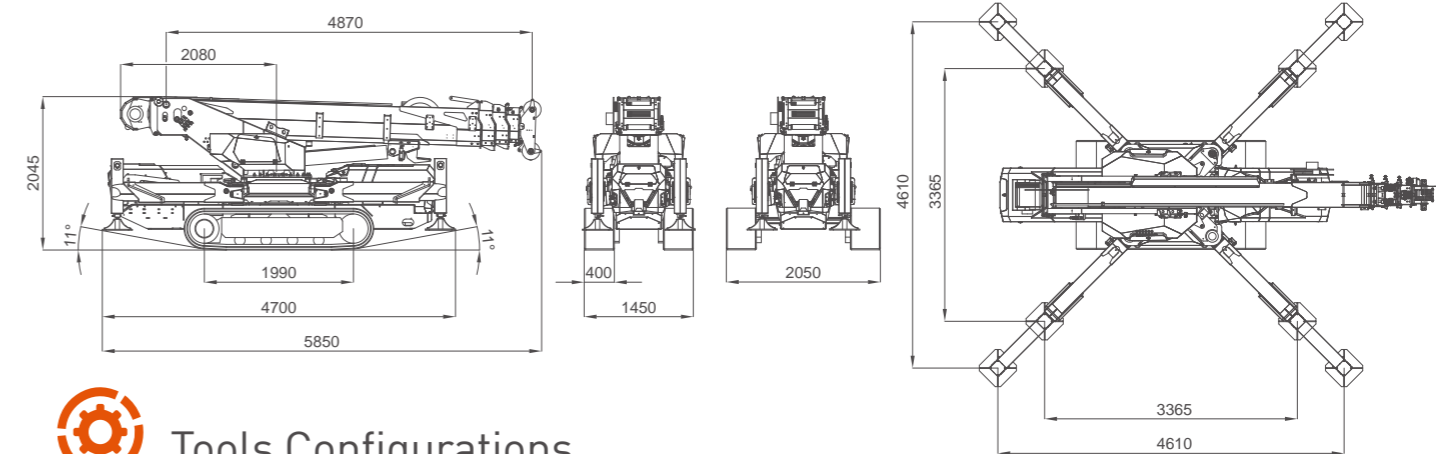
Max. Capacity	Line	Metres
<b>max</b> 8000 kg	6	-19 m
<b>max</b> 7500 kg	5	-23 m
<b>max</b> 6000 kg	4	-29 m
<b>max</b> 4500 kg	3	-37 m
<b>max</b> 3000 kg	2	-52 m
<b>max</b> 1500 kg	1	-116 m

## Load Chart

000 Capacity with jib  
(000) Pick&Carry



## Dimensions



## Crane Options

**OPZIONI GRU**

- HA-SPX1280
- VAI
- WUK-04.1
- LAYOUT
- 8.5T-D10
- WT-1280

**ACCESSORI**

- JIB3502GX
- JIB1502.3HX
- RP-JIB1500.3HX
- JIB1502.1FL
- JIB303GR
- RP-JIB300GR

**KIT MOTORE ELETTRICO**

- PP220-11D.V07
- PP400-11D.V06
- PP440-12D.V04

A2B

BPI

CCI

DTC

EKT

GSC

LMI

P&C

PPA

SCI

TH

VW

RCD

2SW

2ST

## Tools Configurations

JIB3500GX	JIB1501.FL	JIB1501.3H	JIB303GR
<b>max</b> 3500 kg	<b>max</b> 1500 kg	<b>max</b> 1500 kg	<b>max</b> 300 kg
<b>max</b> 1600 kg @ 21 m	<b>max</b> 900 kg @ 26.5 m	<b>max</b> 560 kg @ 26.5 m	<b>max</b> 300 kg @ 22.2 m
<b>max</b> 400 kg @ 17.7 m	<b>max</b> 200 kg @ 16 m	<b>max</b> 100 kg @ 20 m	<b>max</b> 300 kg @ 16.2 m