

# 966H

Wheel Loader



---

**Cat® C11 Diesel Engine with ACERT® Technology**

**Gross Power (SAE J1995)** 211 kW/287 hp

**Net Power (ISO 9249) at 1800 rpm** 195 kW/265 hp

**Bucket Capacity** 3.5 to 4.8 m<sup>3</sup>

**Operating Weight** 23 800 to 27 300 kg

---

# 966H Wheel Loader

*H-Series Wheel Loaders – The New Standard For Midsize Loaders*

---

## Reliability and Durability

- Proven Components And Technology
- ACERT Technology Maintains Performance, Efficiency And Durability While Meeting Emissions Regulations
- Heavy Duty Components Stand Up To All Operating Conditions
- Strong, Solid Structures Built To Last

**pg. 4**

---

## Productivity and Versatility

- Improved Cycle Times With Load-Sensing Hydraulic System
- Constant Net Horsepower Through The Operating Range
- Aggregate Autodig Automates The Loading Process
- Special Machine Arrangements For Specialized Applications
- Large Variety Of Cat® Work Tools

**pg. 6**

*Performance you can feel with the capability to work in the most demanding applications. Unmatched operator comfort and efficiency in a world class cab. Revolutionary electronics and hydraulics for low-effort operation. Increased productivity with lower owning and operating costs.*



---

## Operator Comfort

- Easy Entry And Exit
- Excellent Visibility
- Comfortable Environment With Controlled Vibration
- Choice Of Steering And Implement Control Systems

**pg. 8**

---

## Serviceability

- Service Centers For Convenient Maintenance
- Exceptional Access To Service Points
- Monitoring Systems And Dealer Support Reduce Unexpected Downtime

**pg. 10**

---

## Owning and Operating Cost

- Proven Fuel Efficiency
- Superior Maintenance
- Electronic Systems Monitor Product Health And Performance
- Complete Dealer Support

**pg. 12**



## Reliability and Durability

*The Cat 966H – Built Strong and Tough – Tested And Proven – Ready To Work*

- Proven components and technology
- Electronic systems monitor vital machine components
- ACERT Technology maintains engine performance, efficiency and durability while reducing emissions
- Heavy duty components withstand all operating conditions

**Proven Reliability.** The 966H features many of the components designed and proven in previous 966 models – all contribute to the reliability of the 966H:

- Frames
- Axles
- Planetary powershift transmission
- IBS – Integrated Breaking System
- Separated cooling system
- Cab

**Engine.** EU Stage IIIA compliant C11 engine with ACERT Technology combines proven systems with innovative new technologies to precisely deliver fuel to the combustion chamber. It maintains engine performance, efficiency and durability while dramatically reducing emissions.

The Cat C11 is a 11.1 L displacement, 6-cylinder, electronically governed engine. Electronic fuel injection is provided through the well-proven Caterpillar mechanically actuated, electronically controlled unit injection (MEUI) system. A wastegate turbo-charger, equipped with a titanium wheel for improved durability, combined with air-to-air aftercooling (ATAAC) provides consistent high horsepower with increased altitude capability.

**Electronic Controller.** The engine is governed by an electronic control module designated the A4:E4V2. The controller continually adjusts engine output based on load demand using a series of sensors located on the machine and engine.



**Mechanically Actuated Electronic Unit Injectors (MEUI).** The MEUI system has been at work in Cat engines across the product line with a proven track record of consistent, durable, reliable performance.

**Engine Block and Pistons.** The gray cast iron engine block is made of the same material as the cylinder heads. Wall diameters are thicker than in previous designs while adjustments have been made to reduce sound levels and increase rigidity. One-piece all-steel pistons are housed within a wet, replaceable cast iron cylinder liner constructed of high-strength, heat-treated castings. Steel-forged connecting rods are larger in diameter.

**Powershift Transmission.** The 966H continues to use heavy-duty powershift transmission technology proven on previous models and currently used up through the largest wheel loader built by Caterpillar – the 994F. The planetary powershift transmission features heavy-duty components to handle the toughest applications. Built-in electronic controls enhance productivity and durability.

### **Throttle Shifting Control.**

Controlled Throttle Shifting regulates engine speed during high-energy directional changes for smoother shifting and longer component life.

### **Caterpillar Designed Components.**

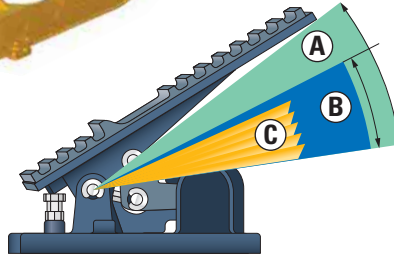
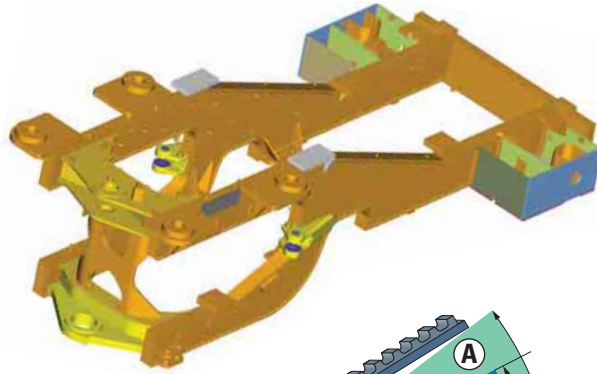
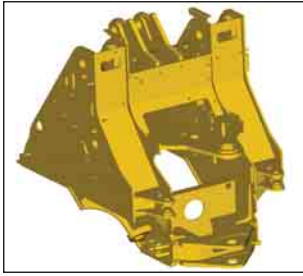
Components used to build Cat Wheel Loaders are designed and manufactured to Caterpillar quality standards to ensure maximum performance even in extreme operating conditions.

Engine electronic control module and sensors are completely sealed against moisture and dust. Deutsch connectors and electrical wire braiding ensure that electrical connections resist corrosion and premature wear.

Hoses are engineered and manufactured for high resistance to abrasion, excellent flexibility and easy installation and replacement.

Caterpillar hose couplings use o-ring face seals to provide positive sealing for durable leak-free connections.

Heavy duty components reduce the risk of leaks, corrosion and premature wear increasing uptime and helping to protect the environment.



### Caterpillar Monitoring System.

The 966H is equipped with the Cat Monitoring System (CMS) that keeps watch over the health of your loader. CMS monitors critical engine system functions and will derate the engine to protect itself from damage if needed. Depending on which of the following six critical conditions arise, the CMS monitor or front panel will display warning lights and sound audible alarms.

- High coolant temperature
- High air inlet temperature
- Low engine oil pressure
- High fuel pressure
- Low fuel pressure
- Engine over-speed

**Axles.** The 966H axles are designed by Caterpillar for durability in all operating conditions. The front axle is rigidly mounted to the frame to support the weight of the wheel loader and withstand internal torque loads as well as external forces encountered throughout operation. The rear axle is designed to allow  $\pm 13^\circ$  oscillation. All four wheels remain on the ground over uneven terrain providing excellent stability and traction.

### Integrated Braking System (IBS).

The Cat exclusive Integrated Braking System reduces axle oil temperatures and improves transmission neutralizer smoothness. IBS has a direct impact on durability of the axles and brakes especially in applications involving long distances and/or heavy braking.

- A** Downshift logic only
- B** Brake application initiated
- C** Self-adjusting transmission neutralization

**Structures.** The articulated frame design of the 966H features a durable box-section engine frame and rigid four-plate loader tower that is robotically welded. Robotic welding creates frame joints with deep plate penetration welds and excellent fusion for maximum strength and durability.

**Rear Frame.** A full box-section engine end frame with hitch plates at the front end provides a strong, rigid structure that resists twisting and impact loads. The result is an extremely solid mounting platform for the engine, transmission, axle, ROPS and other accessories.

**Spread Hitch.** The distance between the upper and lower hitch plates is important for machine performance and component life. The Cat spread hitch design provides excellent load distribution and bearing life. Both the upper and lower hitch pins pivot on double tapered roller bearings – improving durability by distributing both vertical and horizontal loads over a larger surface area. The wide opening also provides excellent service access.

**Front Frame.** The non-engine end frame provides a solid mounting base for the front axle, lift arms, lift cylinders and tilt cylinder. The fabricated, four-plate loader tower absorbs the forces associated with loading, twisting and penetration.

**Linkage.** The 966H linkage is a single-tilt Z-bar design. Z-bar linkage generates excellent breakout force and good rack back angle for better bucket loading and load retention. The Z bars' light weight compared to other linkage designs allows for more payload capacity. Lift arms are solid steel, providing superior strength with an excellent front end viewing area. The proven design offers excellent dump clearance and reach for exceptional matching to on- and off-highway trucks. Rotary sensors, for the tilt lever and lift circuit allow the operator to electronically set detent positions from the cab.

## Productivity and Versatility

*Work Smart And Move More*



- Load sensing hydraulics increase lifting capacities
- Electro hydraulic controls reduce cycle times
- Consistent horsepower regardless of conditions
- A variety of buckets and work tools for many applications

**Load Sensing Hydraulics.** The 966H features a load sensing hydraulic system that automatically adjusts to operating conditions to provide only the hydraulic flow required by the implement for improved fuel efficiency.

With the new Priority Proportional Pressure Compensation Valve, implement control is improved over the previous system – raise/lower and rack back/dump can be operated simultaneously and fine modulation is repeatable for improved productivity. Operators will notice enhanced ease of operation, more rimpull into the pile and a 20% increase in lift force.

### **Electrohydraulic Implement Controls.**

Finger Tip Electro hydraulic implement controls on the 966H provide the operator with responsive, smooth and precise control of bucket and lift arms. The implement control console also features a Forward/Neutral/Reverse switch allowing easy and fast directional changes that helps reducing cycle times.



The standard programmable automatic kick-outs provide flexibility and productivity for precise load and dump target heights. Tilt, lift and return-to-dig kickouts are set by positioning the bucket or work tool and setting a rocker switch in the cab.

**Constant Horsepower.** On many competitive machines, gross horsepower is constant, meaning that net engine power available for actual work will vary based on demands made from parasitic sources, such as air conditioning or cooling fans. The Cat C11 engine is electronically configured to provide constant net horsepower at full parasitic load enhancing productivity and improving fuel efficiency.

**Separated Cooling System.** Many competitive loaders use cooling systems that pull air in from the sides, through the engine compartment and exhaust it out the rear of the machine. The 966H cooling system is isolated from the engine compartment by a non-metallic shield. The hydraulically driven, variable speed fan draws in clean air from the rear of the machine and exhausts it out the sides and top of the hood. The end results are optimal cooling efficiency, increased fuel efficiency, less radiator plugging and reduced operator sound levels.



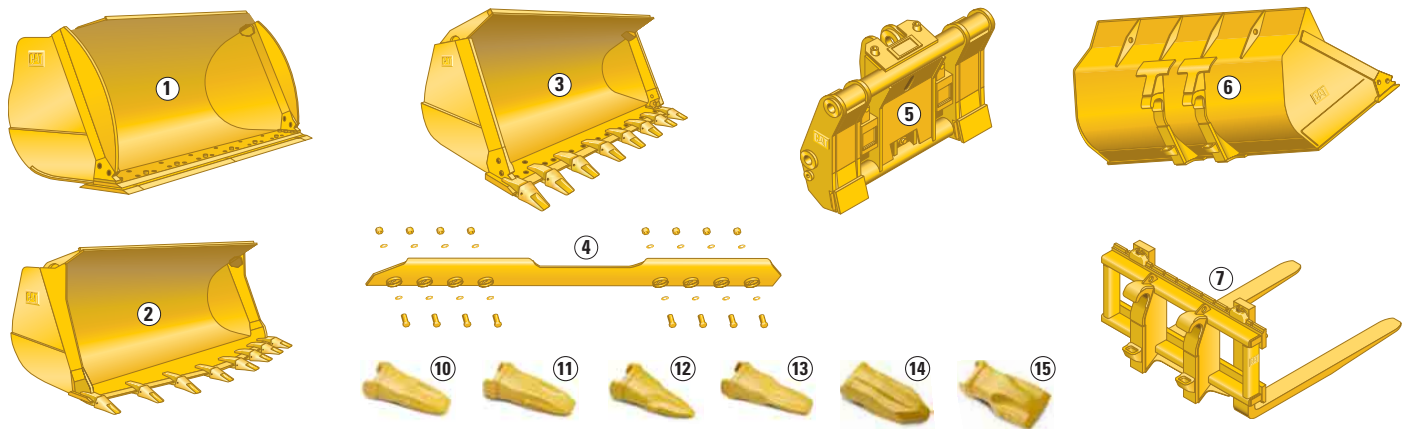
### **Planetary Power Shift Transmission.**

Increases number of cycles per hour. The electronic planetary power shift transmission with automatic shift capability is designed, developed and built by Caterpillar. The electronically controlled power shift transmission allows full power, very responsive directional changes that have a direct impact on machine cycle times and productivity. The operator can choose between manual or autoshift modes.

**Variable Shift Control.** Match transmission shifting patterns to machine application requirements. Variable Shift Control (VSC) improves shift quality and fuel efficiency in certain applications by allowing the transmission to upshift at lower engine RPMs.

**Ride Control.** The optional Ride Control System improves ride, performance and load retention when traveling over rough terrain. Operators gain confidence moving at higher speeds in load and carry operations decreasing cycle times and increasing productivity.

**Aggregate Autodig.** Well-received by both experienced and novice operators, the optional Aggregate Autodig fully automates the loading process.



**1 Universal Buckets.** This is a complete line of flat floor buckets, designed for loose material (re)handling, providing maximum load retention, additional rack back and improved visibility to the load. Equipped with various GET (Ground Engaging Tools), they provide easier pile penetration, better fill factors and faster loading cycles; they are offered in a wide range of capacities. All buckets feature integral deflectors to prevent possible spillage over the linkage, as well as bottom and side wear plates for greater durability. A bolt-on guard (optional) extends the bucket top sheet and provides additional protection against spillage. Universal buckets are for use with the standard lift arm configuration.

**2 General Excavation Buckets.** Built to handle the toughest conditions, these buckets are excellent for bank and excavation applications. They feature proven, shell-tine construction that resists twisting and distortion. Bucket hinges are part of the structure that extends under the bucket shell to the cutting edge, forming box sections that resist impact forces. All buckets have integral spill plates that prevent possible spillage over the linkage. Replaceable rear wear plates protect the bottom of the bucket. Bucket side plates are also reinforced in their lower portion with additional wear plates. Buckets feature Corner Guard System and can be fitted with optional bolt-on GET.

**3 Rock Buckets.** Caterpillar rock buckets are built to tough standards. The spade-edge design provides easier penetration and makes them well suited for high-impact jobs. Optional Ground Engaging Tools include bolt-on cutting edge and weld-on two-strap adapters to be fitted with Caterpillar K Series tips, with or without standard or heavy-duty bolt-on segments.

**4 Corner guard system.** Allows maximum flexibility between teeth and edge systems for superior protection and performance in each application. Featured on General Excavation buckets and some Universal buckets.

**5 Dedicated Quick Couplers.** Allow the operator to perform a wide variety of tasks with just one machine and various work tools, providing unmatched versatility and resulting in cost efficiency. With the separate optional quick coupler circuit, actuate the quick coupler and change and operate non-hydraulic work tools from the cab. The third valve can be used to actuate hydraulic work tools, like high dump buckets. The features of the vertical wedge-lock quick coupler are:

- Designed for minimal loss of breakout force
- Adjusts automatically to prevent play
- Durable design

**6 Quick Coupler Buckets.** A wide range of buckets fitted with dedicated quick coupler hinges is available. Caterpillar offers you the right bucket for the right application.

**7 Forks.** Pallet forks are the ideal tools for handling a variety of materials. These forks are available in different sizes.

**High Dump Buckets.** These buckets increase the dump height of the machine and make it possible to tip loose material over high barriers. Ideal for applications as various as loading stockpiled, light material into high sided trucks, hoppers in waste transfer stations or rehandling fertilizer, coal or grain. The high dump buckets are hydraulically operated and require a 3rd valve.

**K Series Tip Selection.** The new Caterpillar K Series™ Tooth System holds tighter, changes easier and stays sharper.

- 10** General Duty
- 11** Extra Duty
- 12** Penetration
- 13** Penetration Plus
- 14** Heavy Penetration
- 15** Heavy Abrasion

A complete range work tools is available from your Caterpillar dealer.

## Operator Comfort

### *Work Comfortably And Efficiently*

- Comfortable operation
- Excellent visibility
- Easy entry and exit
- Controlled vibration
- Choice of two steering systems

**Operator Environment.** The 966H maintains the distinction of offering the largest, most ergonomic cab in its class.

**Seat.** The Cat C-500 Series Comfort air suspension seat, standard in the 966H, is built strong and durable and is 6-way adjustable to accommodate all-sized operators. The cast one-piece back and seat pan prevent protrusions under the cushions. The seat features an automotive-style lumbar support for maximum comfort. The right hand armrest with integrated implement controls adjusts for comfortable, convenient operation. A heated seat option is available for additional comfort.

**Vibration.** By controlling normal machine vibrations, operator efficiency and productivity are improved. From the ground up, the Cat 966H is designed with many features, both standard and optional, that reduce vibration.

- The oscillating rear axle follows the contour of the ground while allowing the cab to stay steady.
- The cab is attached to the frame with iso-mounts designed to reduce shock loads from the ground.
- The articulation joint is equipped with two neutralizer valves that prevent frame-to-frame contact.
- Cylinder dampening slows the bucket as it reaches the limits of travel, preventing machine jarring.
- Ride Control is an option designed to reduce jolting and bouncing during load and carry operations.
- Electronically controlled, automatic kickouts prevent the jerking and bouncing associated with abrupt cylinder stops.
- Air suspension seat-mounted implement controls reduce vertical vibrations that come up through the cabin floor.



**Steering Options.** The 966H offers two steering systems to provide flexibility for your application.

**Conventional Steering.** The conventional steering configuration offers a low-effort hand metering unit hydraulic steering system. Load sensing steering directs power through the steering system only when needed. When not steering, more engine power is available to generate rimpull, breakout force, lift force, and results in reduced fuel consumption. The steering column tilts for maximum operator comfort.

#### **Command Control Steering.**

This is a load-sensing system that links the steering wheel and frame angle positions to provide the proper amount of steering control. The speed the machine turns is proportional to the steering wheel position. Less than 26 N steering effort is required by the operator, regardless of conditions.



Full machine articulation is accomplished with a  $\pm 70^\circ$  turn of the wheel – versus two to three  $360^\circ$  turns of a conventional steering wheel. The Command Control Steering wheel contains the forward/neutral/reverse switch and the upshift/downshift button – allowing the left hand to remain on the steering wheel at all times. The CCS column inclines  $35^\circ$  and the telescopic change is up to 100 mm.





**Controls.** The main control panel on the 966H is located high on the right ROPS post – keeping everything within reach of the operator while maintaining visibility to the ground. Keeping all switches and controls conveniently placed allows better operator efficiency and improved productivity, while minimizing operator fatigue.

**Aggregate Autodig System.** It provides smoother loading cycles and consistently full payloads without touching the controls – reducing operator fatigue.

**Visibility.** The 966H provides excellent visibility to both the front and rear of the machine. Distortion-free flat glass stretches to the floor of the cab for excellent visibility to the bucket. Wet-arm wipers on both front and back keep the windows clean in any condition. The cab roof has channels that direct rain off the corners of the cab keeping windows clear. An overhang on all sides protects the operator from glare.



**Rear Vision Camera.** An optional rear vision camera is available to clearly monitor movement behind the wheel loader.

**Lighting Packages.** Optional lighting packages are available for roading or low-light applications. The optional High Intensity Discharge (HID) lights provide exceptional lighting for night work. A rotating beacon is available as a safety feature.

**Windshield Cleaning Package.** An optional windshield cleaning package provides additional steps and handrails to provide easy access for cleaning the front windows.



**Entry and Exit.** A ladder with self-cleaning steps keeps debris build-up to a minimum. The ladder is at a 5° forward incline for easy entry and exit. Platforms are wide allowing ease of movement to the front or rear of the machine. The main cab door opens a full 180° and latches in place to allow safe navigation to the rear of the machine. The right side door opens 10°, or completely for secondary exit simply by pulling a pin. A full-length ladder on the right side facilitates safe exit if needed.

## Serviceability

*Easy To Maintain – Easy To Service.*



- Grouped service points and sight gauges for easy daily maintenance
- Convenient access to engine compartment for excellent serviceability
- Swing-out grill and cooling cores for easy cleaning
- Electronic systems to monitor product health



**Electric Service Center.** Batteries, relay panel and an optional tool box are conveniently located below the left-side access platform. The engine shutdown switch is housed with the relay panel. A compartment integrated into the access platform contains the hood tilt actuation switch, battery disconnect switch and optional jump-start receptacle.



**Remote Pressure Taps.** Pressure taps for the steering and hydraulic systems, transmission (optional) and brakes are grouped behind an access panel just below the right-side service platform.

**Autolube.** Reduce time spent on daily maintenance and downtime for unplanned repairs due to inadequate greasing with the optional Caterpillar Automatic Lubrication System. Precise lubrication of pins and bushings at specific intervals improves component wear and reduces ground contamination from excessive greasing.

**S•O•S Services.** Sampling valves on the 966H allow quick access to engine, transmission and hydraulic oils for S•O•S analysis. Oil change intervals and other services can be optimized according to your work schedule, reducing downtime and managing expenses.

**Sight Gauges.** Well-protected, yet easily visible sight gauges for the transmission oil, hydraulic oil and engine coolant allow easy daily checks while reducing the risk of contaminants entering the systems.

**Brake Wear Indicators.** Axles are equipped with standard brake wear indicators, allowing a technician to easily determine when it is necessary to service the brakes.



**Hydraulic Service Center.** Transmission oil and hydraulic oil filters are located in the Hydraulic Service Center, behind the hinged, right-side access ladder. The hydraulic oil tank can be drained from this location using the access port.

- Hydraulic oil filter change interval at 500 hours
- Transmission oil filter change interval at 1000 hours



**Ground Level Grease Points.** Grease fittings are grouped on the right side of the machine in two convenient locations – in a service compartment just below the right-side service platform, and a bank located just off the non-engine end frame. These locations facilitate easy lubrication of vital components located throughout the machine.



**Engine Compartment Access.**

The non-metallic hood on the 966H has been redesigned and restyled from previous models. Side and top panels are stronger due to more robust reinforcement ribs – the change in contour also adds to rigidity of the hood. Panels located behind the tires lift up and can be removed for additional access. Rounding fenders hinge from the rear and swing out allowing easier access to the engine compartment.

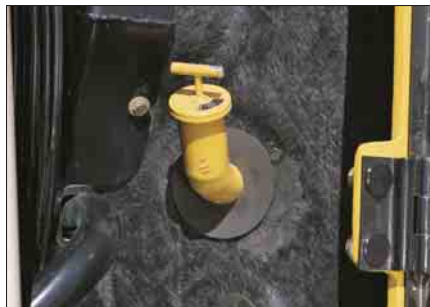


A single mechanical lift cylinder with manual back-up opens the hood. The tilting hood provides excellent access to the engine compartment, and if necessary, the entire hood can be removed with the built-in lift points.

**Ecology Drains.** Engine, transmission and hydraulic oils can be easily drained with standard-equipment ecology drains. An axle oil ecology drain is optional.



**Cooling System.** Access for clean-out and maintenance is outstanding. The perforated and corrugated grill minimizes debris build-up and swings out for easy cleaning and access to the cooling cores. The full-width air conditioning condenser and oil cooler cores swing out 45° to allow easy cleaning of the rear radiator face. Panels on either side provide access to the front face of the radiator and ATAAC cores for easy cleaning.



With the hood closed, quick checks of engine oil level and the coolant sight gauge can be completed through the side service doors.

**Electric Priming Pump.** An electric fuel priming pump located on the primary fuel filter base eliminates the need to pre-fill or manually prime filters after a change, eliminating engine contamination.



**Cab.** The entire operator station can be removed in about 45 minutes and is easy to re-attach. Quick disconnects are used so no wires need to be cut and no refrigerant is lost. Cab cleaning is made easy with channels on the cab floor and no threshold at the door – the floor can be swept or mopped out easily.

**Windshield Cleaning Package.**

An optional windshield cleaning package consists of two steps for the loader front frame, two additional handrails and a folding mirror. This package allows access to the entire front windshield for easy cleaning.

**Complete Customer Support.**

Cat field service technicians have the experience and tools necessary to service your loader on site. Technical experts at the dealership and Caterpillar can provide additional assistance to field service technicians as needed.

When on-site repair isn't enough, Cat dealerships are fully equipped to service your loader quickly.

# Owning and Operating Cost

## The 966H – Best Value For Your Operation



- More return for your wheel loader investment through proven Cat fuel efficiency
- Sight gauges, grouped maintenance points, easy engine access, ecology drains, maintenance-free batteries all simplify daily maintenance
- Electronic monitoring systems track product health to avoid unscheduled costly repairs
- Unsurpassed parts availability reduces downtime
- Excellent resale value provided by genuine Cat quality, outstanding dealer service and unmatched dealer support programs
- Caterpillar Financial Services and Cat dealers understand your business

**Fuel Efficiency.** Many manufacturers tout fuel consumption as one of the determining factors for machine acquisition, but fuel consumption is only part of the story. Productivity must also play a part in the decision.

**966H Fuel Efficiency.** Customer testing of the 966H is showing an improvement in fuel efficiency over the 966G II. This fuel savings are achieved through the use of

- ACERT Technology
- Engine Idle Management System software
- On-Demand Fan
- Variable Shift Control
- Free Wheel Stator Torque Converter
- Caterpillar proportional-flow load sensing hydraulic system

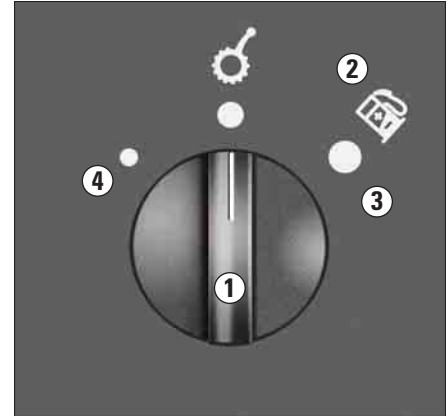
### ACERT Technology Fuel Economy.

Based on Caterpillar testing, the fuel economy of Cat engines with ACERT technology is 3 to 5 percent better than current competing technologies. This fuel economy is directly related to the complete combustion of fuel due to the integration between the electronic control that monitors conditions, the air management system that controls air volume and the fuel injection system that delivers just the right amount of fuel as needed.

### Engine Idle Management System.

The Engine Idle Management System (EIMS) maximizes fuel efficiency and provides flexibility in managing idle speeds for specific application requirements. Four idle control speeds are available.

**On-Demand Fan.** Temperature levels of the engine coolant, transmission oil, hydraulic oil and air inlet manifold are constantly monitored to adjust the speed of the fan to cooling requirements. Controlled fan speed improves fuel efficiency.



### 1 Variable Shift Control (fuel efficiency).

VSC improves shift quality and fuel efficiency in certain applications by allowing the transmission to upshift at lower engine RPMs.

### 2 ISO symbol for fuel efficiency

**3** Economy mode (typically used for load & carry and roading applications)

**4** Aggressive mode (typically used for tight truck loading applications)

### Free Wheel Stator Torque Converter (FWSTC).

The free wheel stator torque converter improves power train efficiency in load and carry operations which contributes to the improved fuel efficiency of the 966H.



**Maintenance.** Proper maintenance of your wheel loader can help control expenses and lower your owning and operating costs. The 966H provides unmatched serviceability by offering:

- Hydraulic service center
- Electric service center
- Well-protected, easily visible sight gauges



- Ground level maintenance points
- Easy access to engine compartment
- Ecology drains for simple and clean fluid drainage
- Brake wear indicators for ease of inspection
- Airborne debris-resistant, swing-out grill provides more efficient airflow

**S•O•S Services.** Managing component life and machine availability decreases downtime while improving your productivity and efficiency. S•O•S Services can help you do that. Regular fluid sampling is used to track what is going on inside the equipment. Wear-related problems are predictable and easily and quickly repairable. Maintenance can be done according to your schedule, resulting in increased uptime and flexibility in maintenance and repair before failure.

**Product Link.** With Product Link owners can collect and track multiple types of information – from machine location and service meter hours, to health and productivity information.

**EquipmentManager.** With a subscription to EquipmentManager information from Product Link can be transmitted to a computer. Return on equipment investment is optimized through maintenance management and improved uptime.



**Customer Support Agreements.**

A Customer Support Agreement (CSA) is any arrangement between you and your Cat dealer that helps you lower your total cost per unit of production. CSAs are flexible, allowing them to be tailored to your business. They can range from simple Preventive Maintenance Kits to sophisticated Total Cost Performance Guarantees. Having a CSA with your Cat dealer allows you more time to do what you do best – run your business.



**Parts Availability.** Caterpillar provides an unsurpassed level of personalized service for your wheel loader. With parts distribution centers worldwide, most parts can be delivered in 24 hours. Easy access to parts reduces downtime.

**Machine Security System.** Stolen equipment equates to lost production and increased costs. Eliminate machine theft and unauthorized usage with the Cat Machine Security System (MSS). It is integrated into the machine's electronic system and can protect most brands of equipment by requiring a uniquely coded key to start the machine.

**Caterpillar Equipment Training Solutions.** A thorough understanding of machine systems and a high level of skill in operation helps achieve maximum efficiency and improves return on investment. Caterpillar Equipment Training Solutions programs help provide operators with high levels of proficiency and confidence. Contact your Cat Dealer for more information on Caterpillar Equipment Training Solutions programs.

**Caterpillar Financial Services Corporation.** Cat Financial understands your business, your industry and the challenges you face. That's why they can provide payment plans to fit your unique needs – and to help you achieve your goals.

**Resale Value.** Owning quality equipment is a very important factor in maintaining resale value. Cat not only supplies quality equipment but also provides product and dealer support to maintain the reliability and durability of your machine.

## Engine

Cat C11 with ACERT Technology

Net Power at 1800 rpm

ISO 9249	195 kW/265 hp
----------	---------------

80/1269/EEC	195 kW/265 hp
-------------	---------------

Peak Torque (net) at 1400 rpm	1215 Nm
-------------------------------	---------

Total Torque Rise	38%
-------------------	-----

Bore	130 mm
------	--------

Stroke	140 mm
--------	--------

Displacement	11.1 liter
--------------	------------

- All engine horsepower (hp) are metric including front page.
- EU Stage IIIA compliant
- Rating for net power advertised based on power available when the engine is equipped with alternator, air cleaner, muffler and on-demand hydraulic fan drive at maximum fan speed.

## Operating Specifications

Operating Weight	23 900 kg
------------------	-----------

Static Tipping Load,	
----------------------	--

Full Turn	16 130 kg
-----------	-----------

Breakout Force	191 kN
----------------	--------

Bucket Capacities	3.5 to 4.8 m <sup>3</sup>
-------------------	---------------------------

- Operating weight with 4.2 m<sup>3</sup> universal bucket and bolt-on cutting edge.

## Axles

Front	Fixed
-------	-------

Rear	Oscillating ± 13°
------	-------------------

Maximum Single-Wheel Rise and Fall	502 mm
------------------------------------	--------

## Sound

- The operator sound pressure level measured according to the procedures specified in ISO 6394:1998 is 69 dB(A) for the cab offered by Caterpillar, when properly installed, maintained and tested with the doors and windows closed.
- Hearing protection may be needed when operating with an open operator station and cab (when not properly maintained or doors/windows open) for extended periods or in noisy environments.
- The European Union 2000/14/EC labeled spectator sound power level is 107 dB(A).

## Hydraulic System

Implement System	
------------------	--

Pump Output	320 l/min
-------------	-----------

Hydraulic Cycle Times	seconds
-----------------------	---------

Raise	5.9
-------	-----

Dump	1.6
------	-----

Lower, Empty, Float Down	2.4
--------------------------	-----

Total	9.9
-------	-----

- Implement system, variable axial piston pump (rated at 2100 rpm and 69 bar)
- Cycle times with rated payload

## Service Refill Capacities

	Liters
--	--------

Fuel Tank	380
-----------	-----

Cooling System	39
----------------	----

Crankcase	35
-----------	----

Transmission	44
--------------	----

Differentials and Final Drives	
--------------------------------	--

Front	64
-------	----

Rear	64
------	----

Hydraulic Tank	110
----------------	-----

## ROPS/FOPS

- Caterpillar cab with integrated Rollover Protective Structure (ROPS) is standard in Europe.
- Rollover Protective Structure ROPS meets ISO 3471:1994 criteria.
- Falling Objects Protective Structure (FOPS) meets ISO 3449:1992 Level II criteria.

## Brakes

Meet ISO 3450:1985 standard.

## Transmission

Forward	km/h
---------	------

1	7
---	---

2	13
---	----

3	22
---	----

4	37
---	----

Reverse	
---------	--

1	7
---	---

2	14
---	----

3	24
---	----

4	37
---	----

- Maximum travel speeds (26.5–25 tires)

## Tires

26.5 R 25, L-3 (XHA MX)

26.5 R 25, L-3 (VMT BS)

26.5 R 25, L-2 (GP2B GY)

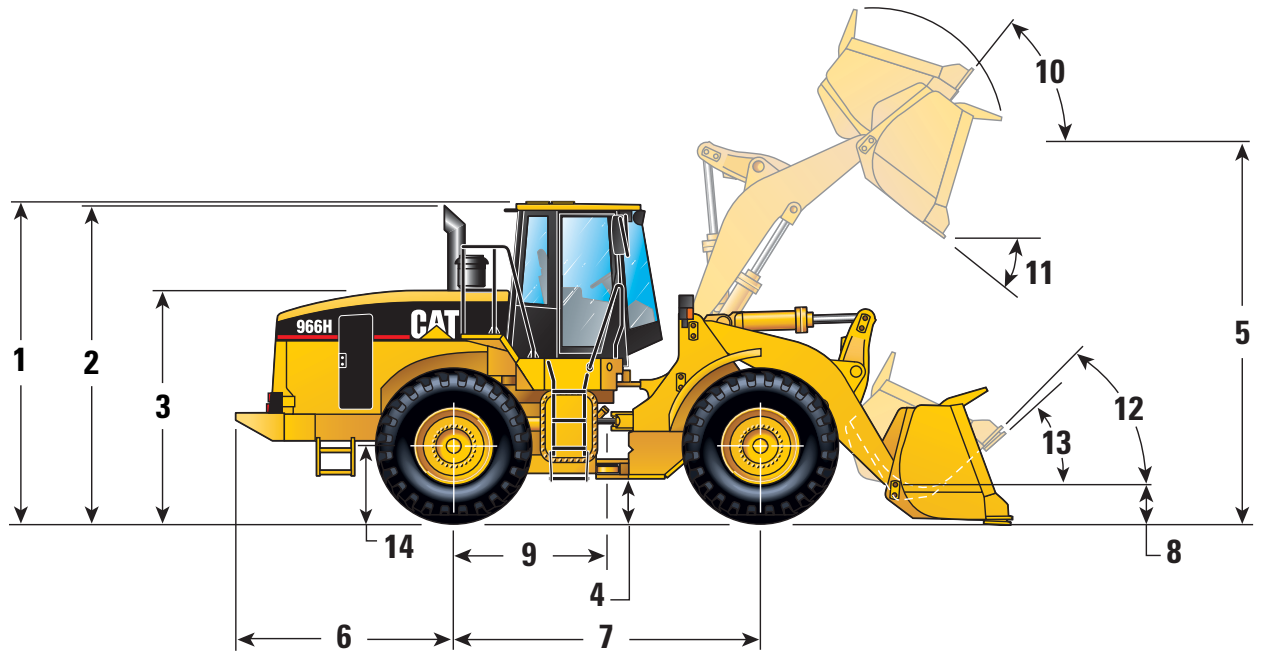
750/65 R 25, L-3 (MX)

26.5 R 25, L-3 (RT3B GY)

In certain applications (such as load and carry) the loader's productive capabilities might exceed the tires' tonnes-km/h capabilities. Caterpillar recommends that you consult a tire supplier to evaluate all conditions before selecting a tire model. The 26.5-25 size range and other special tires are available on request.

## Dimensions

All dimensions are approximate



	mm				
1	Height to top of ROPS	3600	10	Rack back at maximum lift	61°
2	Height to top of exhaust pipe	3552	11	Dump angle at maximum lift	45°
3	Height to top of hood	2678	12	Rack back at carry	47°
4	Ground clearance with 26.5 R 25, L-3	496	13	Rack back at ground	42°
5	Bucket hinge pin height (B-pin)	4424	14	Height to center line of axle	815 mm
6	Center line of rear axle to edge of counterweight	2461			
7	Wheelbase	3450			
8	Bucket hinge pin height at carry (B-pin)	507			
9	Center line of rear axle to hitch	1725			

## Tire Specifications

	Width over tires	Change in vertical dimensions	Change in operating weight	Change in static tipping load
	mm	mm	kg	kg
26.5 R 25, L-3 (XHA MX)	3017	0	0	0
26.5 R 25, L-3 (VMT BS)	3015	-10	+80	-14
26.5 R 25, L-2 (GP2B GY)	3012	0	-48	-36
26.5-25 20 PR, L-3 (SHRL GY)	2974	0	-220	-127
26.5-25 20 PR, L-3 (SRG FS)	2992	-24	-324	-461
750/65 R 25, L-3 (MX)	3076	0	-228	-21
26.5 R 25, L-3 (RT3B GY)	3017	0	+10	+7
26.5 R 25, L-5 (VSDL BS)	2956	+20	+1248	+937
26.5-25, L-4 (SRG FS)	3002	+20	+34	+31

## Operation Specifications

		Universal Buckets						General Excavation	
		Bolt-on Cutting Edge	Tips and Segments	Bolt-on Cutting Edge	Tips and Segments	Bolt-on Cutting Edge	Tips and Segments	Bolt-on Cutting Edge	Tips and Segments
Rated bucket capacity	m <sup>3</sup>	4.8	4.8	4.5	4.5	4.2	4.2	4.3	4.3
Struck capacity	m <sup>3</sup>	4.1	4.1	3.8	3.8	3.5	3.5	3.6	3.6
Width	mm	3220	3303	3220	3303	3220	3303	3220	3303
Dump clearance at full lift and 45° discharge <sup>4</sup>	mm	2923	2761	2980	2817	3022	2860	3091	2940
Reach at full lift and 45° discharge <sup>4</sup>	mm	1308	1435	1251	1378	1209	1336	1317	1458
Reach with lift arms horizontal and bucket level <sup>4</sup>	mm	2853	3058	2773	2978	2713	2918	2729	2934
Digging depth	mm	121	116	121	116	121	116	104	99
Overall length <sup>4</sup>	mm	8981	9205	8901	9125	8841	9065	8852	9077
Overall height with bucket at full raise	mm	5944	5944	5867	5867	5809	5809	5859	5859
Loader turning radius with bucket in carry position	mm	14789	14991	14748	14948	14717	14917	14727	14928
Static tipping load straight <sup>1</sup>	kg	17911	17726	17996	17813	18081	17899	17934	17750
Static tipping load at full articulation (37°) <sup>1</sup>	kg	15964	15779	16048	15865	16132	15950	15984	15799
Breakout force <sup>2</sup>	kN	171	170	182	181	191	190	188	186
Bucket weight	kg	2339	2475	2269	2405	2200	2336	2365	2502
Operating weight <sup>1</sup>	kg	24025	24161	23955	24091	23886	24022	24270	24407

\* Light material only

<sup>1</sup> Static tipping load and operating weight shown are based on average machine configuration with sound suppression cab and ROPS, secondary steering, air conditioning, ride control, limited slip rear, roading fenders, autolube, front access platform, back-up alarm, 26.5 R 25, L-3, tires for Universal buckets, L-4 tires for General Excavation buckets, L-5 tires for Rock buckets, full fuel tank, coolant, lubricants, lights, directional signals, CE plates and operator.

<sup>2</sup> For buckets with adapters, tips and segments, value is measured 102 mm behind the tip of the segment, with bucket hinge pin as pivot point, in accordance with SAE J732C.

<sup>3</sup> All buckets shown can be used on the high lift arrangement. High lift column shows changes in specifications from standard lift to high lift. Add or subtract as indicated to or from specifications given for appropriate bucket to calculate high lift specifications.

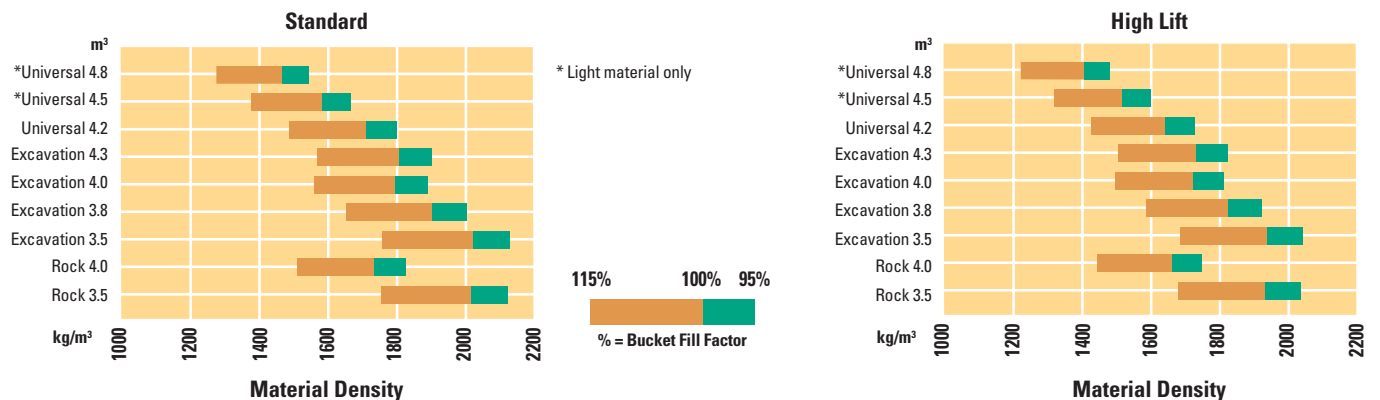
### Dimensions for dump clearance, reach and overall length:

<sup>4</sup> Actual dimensions taken at the tip of the Ground Engaging Tools, either the tip of the bolt-on cutting edge or the tip of the teeth, type long.



Buckets							Rock Buckets			High Lift <sup>3</sup>
	Bolt-on Cutting Edge	Tips and Segments	Bolt-on Cutting Edge	Tips and Segments	Bolt-on Cutting Edge	Tips and Segments	Bolt-on Cutting Edge	Tips and Segments	Tips and Segments	
	4	4	3.8	3.8	3.5	3.5	4	4	3.5	same
	3.4	3.4	3.27	3.27	2.95	2.95	3.4	3.4	2.9	same
	3059	3142	3059	3142	3059	3142	3288.5	3258	3258	same
	3091	2963	3125	2974	3193	3045	3030	2871	2983	+558
	1317	1477	1293	1435	1249	1393	1474	1655	1617	-25
	2729	2934	2687	2892	2604	2809	2881	3122	3012	+404
	104	99	104	99	104	99	92	97	97	-25
	8852	9052	8810	9035	8727	8952	9014	9265	9155	+545
	5859	5859	5820	5820	5744	5744	6190	6190	6081	+559
	14580	14759	14558	14760	14516	14717	14875	14987	14927	+482
	18060	17875	18126	17942	18323	18140	18322	18250	18496	+29
	16108	15924	16169	15985	16355	16173	16300	16224	16460	+168
	188	187	195	193	209	207	164	165	180	-14.0
	2252	2389	2243	2380	2158	2295	2689	2769	2636	same
	24157	24294	24148	24285	24063	24200	25455	25535	25402	+1746

## Bucket Selection Guide



In accordance with SAE J818, these data consider the bucket load to be equal to half of the static tipping load at full turn.

## Standard Equipment

Standard equipment may vary. Consult your Caterpillar dealer for specifics.

### Electrical

Alarm, back-up  
Alternator, 80-amp brushless  
Batteries, maintenance-free (2)  
Battery disconnect switch  
Ignition key; start/stop switch  
Starter, electric, heavy-duty  
Starting and charging system  
(24-volt)  
Working lights, halogen (6 total)

### Operator Environment

Air conditioner, heater and defroster  
Bucket/work tool function lockout  
Cab, pressurized and sound-suppressed  
ROPS/FOPS  
Radio-ready (entertainment) includes  
antenna, speakers and converter  
(12-volt, 10-amp)  
Caterpillar Monitoring System  
Instrumentation, gauges:  
Digital gear range indicator  
Engine coolant temperature  
Fuel level  
Hydraulic oil temperature  
Speedometer/tachometer  
Transmission oil temperature  
Instrumentation, warning indicators:  
Axle oil temperature  
Electrical, alternator output  
Engine air filter restriction  
Engine inlet air temperature  
Engine oil pressure  
Fuel level  
Fuel pressure, high/low  
Hydraulic filter bypass  
Hydraulic oil level  
Parking brake  
Primary steering oil pressure  
Service brake oil pressure  
Transmission oil filter bypass

Cigar lighter (12-volt), ashtray  
Coat hook (2) with straps  
Controls, electrohydraulic,  
lift and tilt function  
Horn, electric (steering wheel/console)  
Light, dome (cab)  
Lunchbox, beverage holders and  
personal tray  
Mirror, rearview (internally mounted)  
Seat, Cat Comfort (cloth) with  
air suspension  
Seat belt, retractable, 51 mm  
Steering column, adjustable angle  
(steering wheel and Command  
Control) length (Command Control)  
Wet-Arm wipers and washers,  
front and rear  
Intermittent front wipers  
Window, sliding (left and right side)

### Power Train

Brakes, full hydraulic enclosed wet-disc  
with Integrated Braking System (IBS)  
and brake wear indicator  
Engine, Cat C11 with ACERT  
technology and air to air aftercooler  
Fan, radiator, electronically controlled,  
hydraulically driven, temperature  
sensing, on demand  
Filters, fuel, primary/secondary  
Filters, engine air, primary/secondary  
Fuel priming pump (electric)  
Muffler, sound suppressed  
Radiator, unit core  
Starting aid, ether (ready)  
Switch, transmission neutralizer lockout  
Torque converter, free wheel stator  
Transmission, automatic/manual,  
planetary powershift (4F/4R)  
Variable Shift Control (VSC)

### Other

Automatic bucket positioner  
Counterweight  
Doors, service access (locking)  
Ecology drains, engine, transmission  
and hydraulics  
Fenders, steel (front and rear)  
Guard, airborne debris  
Hitch, drawbar with pin  
Hood, non-metallic, power tilting  
Hose couplings, Caterpillar O-ring  
face seal  
Hoses, Caterpillar XT™  
Hydraulic oil cooler  
Kickout, lift and tilt, automatic (in-cab  
adjustable)  
Linkage, Z-bar, cast crosstube/tilt lever  
Oil sampling valves (engine, transmission  
and hydraulic oils)  
Product Link ready  
Remote diagnostic pressure taps  
(steering, hydraulic, transmission  
and brakes)  
Service center, electrical and hydraulic  
Sight gauges:  
Engine coolant  
Hydraulic oil  
Transmission oil level  
Steering, load sensing  
Switch FNR (steering wheel machine)  
Toolbox  
Vandalism protection caplocks

### Tires, Rims, Wheels

A tire must be selected from the  
mandatory attachments section  
(price list). Base machine price  
includes an allowance based on  
a premium radial tire.

### Antifreeze

Premixed 50% concentration of  
Extended Life Coolant with freeze  
protection to -34°C

## Optional Equipment

Optional equipment may vary. Consult your Caterpillar dealer for specifics.

Aggregate Autodig System  
Autolube  
Axle oil cooler, front and rear axles  
Buckets, quick coupler, work tools  
and Ground Engaging Tools (GET) –  
see Cat dealer for details  
Cat Machine Security System (MSS)  
Camera package, rear vision,  
includes a monitor  
Cooling, high-ambient, 50°C  
Differentials  
Limited slip, front or rear  
NO-SPIN, rear  
Drain, axle ecology  
Fender extensions, front and rear  
Fenders, narrow  
Fenders, roading  
Guard, axle seal  
Guard, front window,  
wide or small mesh  
Guard, power train  
Guard, vandalism  
Heater, engine coolant, 120-volt  
Hydraulic arrangement, three-valve  
Joystick control, two- or three-valve  
Lights  
directional  
high intensity discharge (HID)  
roading  
warning beacon  
work, cab-mounted

Mirrors, external  
Mirrors, heated external  
Mirrors, heated external, folding  
Open canopy  
Payload Control System  
Payload Control System Printer  
Platform, window cleaning  
Precleaner, turbine  
Precleaner, turbine/trash  
Product Link  
Radio, AM/FM Weatherband (cassette)  
Receptacle, jump-start, 24-volt  
Remote pressure taps (transmission,  
steering, torque converter and  
implement systems)  
Ride Control System,  
two- or three-valve  
Seat, Deluxe (heated cushion, high back  
extension, ride zone indicator,  
operator weight shock adjustment)  
Seatbelt, 76 mm  
Sound suppression, exterior  
Steering, Command Control System  
Steering, secondary  
Switch, lift lever FNR (steering wheel  
machines)  
Sun visor, front  
Special Machine Arrangements  
High Lift Arrangement,  
two- and three-valve

### **Merchandising Arrangement 0** (not for EU regulated countries)

Wheel Loader, SW  
Air conditioner  
Precleaner, turbine

### **Merchandising Arrangement 1**

Wheel Loader, SW  
Conversion, CE mark  
Air conditioner  
Tool box

### **Merchandising Arrangement 2**

Wheel Loader, SW  
Conversion, CE mark  
Air conditioner  
Differential, limited slip, rear  
Ride control, 2 valve

### **Merchandising Arrangement 3**

Wheel Loader, SW  
Conversion, CE mark  
Air conditioner  
Aggregate Autodig  
Limited Slip Differential, rear  
Ride control, 2 valve  
Seat, Deluxe

### **Merchandising Arrangement 4**

Wheel Loader, SW  
Conversion, CE mark  
Air conditioner  
Hydraulics, 3 valve  
Ride control, 3 valve

### **Logging Arrangement**

Hydraulics, 3 valve  
Ride control  
Additional counterweight

### **Other Special Arrangements**

High Lift Arm, provides +558 mm  
dump clearance  
Access package (15° inclined ladder  
and front access platform)

# 966H Wheel Loader

HEHL3375 (09/2005) hr

Materials and specifications are subject to change without notice.  
Featured machines in photos may include additional equipment.  
See your Caterpillar dealer for available options.

[www.CAT.com](http://www.CAT.com)  
© 2005 Caterpillar  
All Rights Reserved

**CATERPILLAR**<sup>®</sup>