

RIDGWAY Rentals

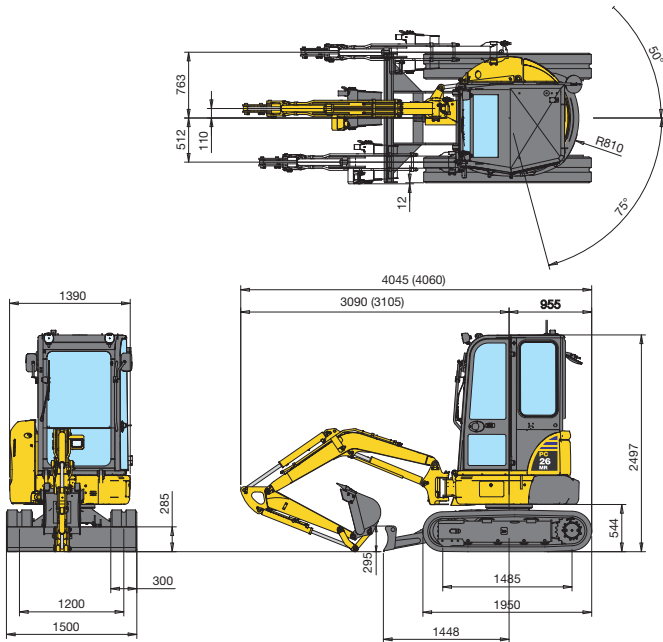
PLANT RENTAL • HAULAGE • SALES • PARTS • SERVICE

01691 770171 0800 515155

sales@ridgwayrentals.com www.ridgwayrentals.com



Komatsu PC26MR 3 Ton Mini Excavator



ENGINE POWER
15,7 kW / 21,1 HP @ 2.500 rpm

OPERATING WEIGHT
2.550 - 2.800 kg

BUCKET CAPACITY
0,035 - 0,085 m³

BUCKET RANGE

Width mm	Capacity m ³ (ISO 7451)	Weight kg	No. of teeth
250	0,035	30	2
350	0,055	40	3
450	0,07	50	4
550	0,085	60	5

Cab, rubber shoes, 450 mm bucket, blade down

A - Distance from machine's center B - Height at bucket pin

ARM LENGTH 1.115 mm

B	2 m		3 m		Max. outreach	
	Front	360°	Front	360°	Front	360°
3 m	-	-	(*)560	520	(*)570	400
2 m	(*)640	(*)640	(*)570	490	(*)540	300
1 m	(*)900	660	(*)740	460	(*)530	270
0 m	(*)1.260	630	(*)780	410	(*)600	290
-1 m	(*)1.000	660	(*)740	380	(*)620	310

Unit: kg

ARM LENGTH 1.370 mm

B	2 m		3 m		Max. outreach	
	Front	360°	Front	360°	Front	360°
3 m	-	-	(*)470	(*)470	(*)470	370
2 m	-	-	(*)480	(*)480	(*)490	290
1 m	(*)970	660	(*)580	430	(*)520	260
0 m	(*)1.250	625	(*)750	380	(*)540	270
-1 m	(*)1.150	630	(*)730	380	(*)600	300

Unit: kg